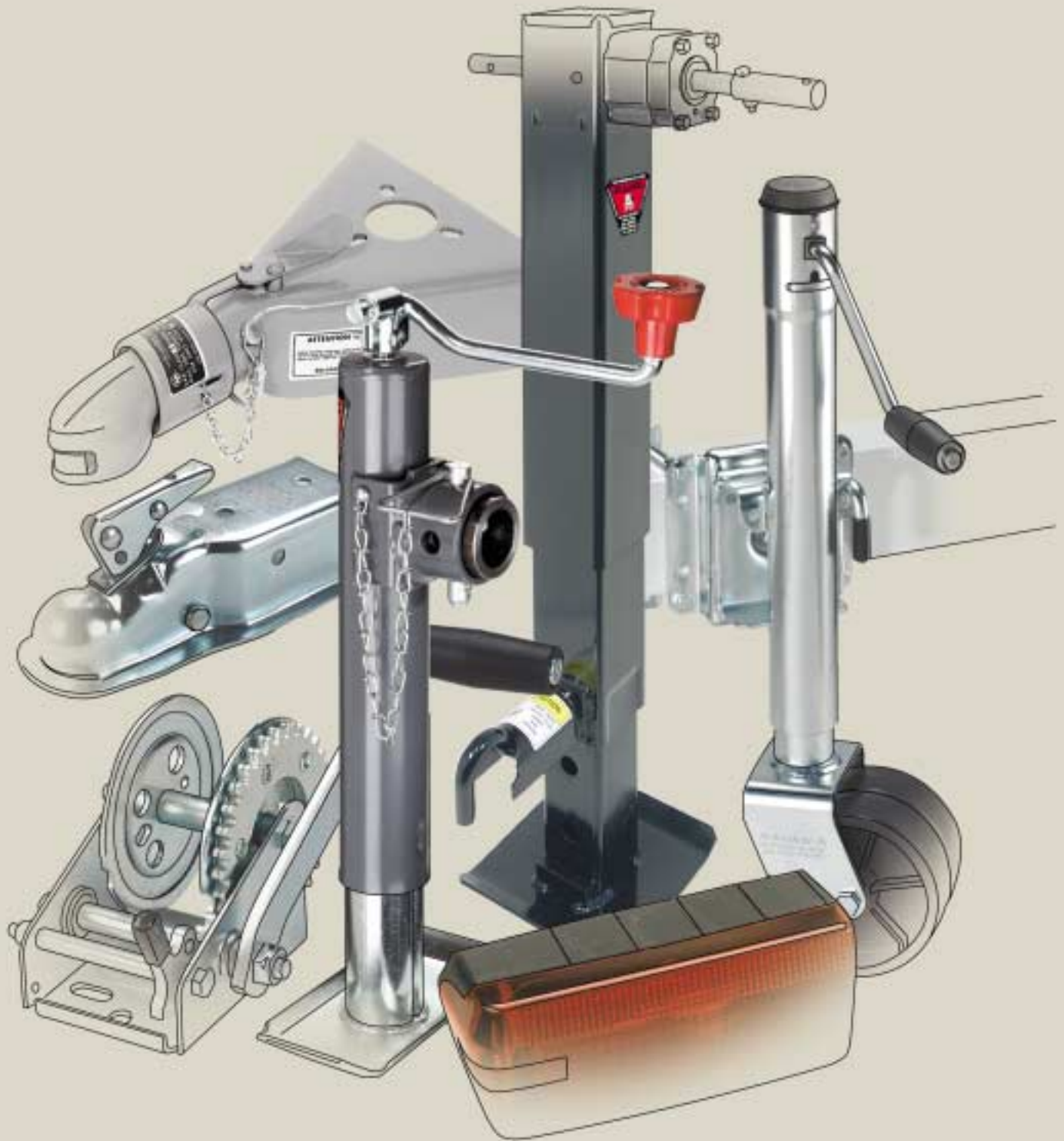




CEQUENT™ TRAILER PRODUCTS

ONE POWERFUL BUNDLED SOLUTION



FULTON

Wesbar



ACCUPOWER

Bargman



CEQUENT™
TRAILER PRODUCTS

ONE POWERFUL BUNDLED SOLUTION

Best-in-Class Trailer Products

With a heritage of more than 85 years in the business, Cequent is a world-class, global manufacturer and distributor of market-leading brands across all aspects of trailer, weight distribution, and cargo management.

We are proud to offer you the very best brand names in the trailer and implement equipment products business. Each is engineered for safety, quality control, and the capabilities most desired by the market today.

FULTON Fulton® Products include a comprehensive line of trailer couplers, winches, jacks, and accessories for numerous original equipment manufacturers. Fulton products are distributed in the marine, RV, home center, and mass merchandiser aftermarkets.



The new Fulton brand family of PREMIUM COATED MARINE PRODUCTS

- Environmentally Friendly Self-Healing
- Minimum 1,000 Hour Salt-Spray Rating
- The Best Protection On The Road

See product categories for part number availability. Contact your Cequent Trailer Products Representative for details.



BULLDOG® jacks and couplers are **Tough and Trusted** and are the most popular brand in their respective industries.



Wesbar® trailer lighting products and accessories provide advanced and innovative systems solutions to original equipment manufacturers and aftermarket distributors and are specialized for the marine market.



Bargman® recreational vehicle lighting is an industry leading brand that expands the electrical product offering of Cequent Trailer Products.



Eclipse® jacks represent the economy line of products for quality and durability in the marine and utility trailer industries.

Our dedication to meeting the evolving requirements of the industries we serve means we are never satisfied with the status quo. We are never done changing, growing, and improving to develop new product technology, design custom products for your specific applications, and add more standard products. By continually striving to be better, we hope to always be your vendor of choice for trailer and towing products.

Table of Contents

JACKS



Agricultural and Industrial Jacks

Round Jacks – Primed Finish	4 - 6
Round Jacks – Zinc Finish	7 - 9
Square Jacks	10 - 14
Heavy Duty Square Jacks	15 - 16
Square Jacks – 2 Speed	17
Rack/Gear Jacks	18 - 19
Ratchet Jacks	20
Jack Replacement Parts/Accessories – Clam Shell Kits and Merchandising	21 - 22
Jack Replacement Parts/Accessories – Bulk	23 - 24

FULTON Marine and Recreational Jacks

Marine Jacks	25 - 26
Stabilizers	27



Eclipse Economy Marine and Utility Jacks

28

COUPLERS



Forged and Cast Couplers	30 - 31
Round Gooseneck Couplers	32
Square Gooseneck Couplers	33

FULTON Stamped, Hand Wheel, and Fold-Away™ Couplers

34 - 35

Coupler Repair Kits and Coupler Assembly Diagram	36
--	----

WINCHES



Single-Speed Winches	38
Two-Speed Winches	39
Automatic Brake Winches	40
Worm Gear Winches	41
Poultry Winches and Winch Accessories	41
How To Select a Hand Winch	42

BRAKES



Electric Breakaway Kits	44
Trailer Brakes	45 - 47
Brake Actuators	48
Fold-Away™ Brake Actuators	49



Trailer Brake Controls	50 - 51
----------------------------------	---------

LED, LIGHTING, WIRING



LED Lighting Technology	54 - 57
-----------------------------------	---------



Tail Lamps and Kits	58 - 62
Clearance / Marker Lamps	63 - 67
ID Bars	68
Reflectors	69
Waterproof Launch Light and Courtesy Lamp, License Lamp, and LP Brackets	70
Receiver Mount Light and Terminology	71
Lighting Regulations	72
AG Lighting	73 - 76
Wiring: Heavy-Duty Connectors and Hardware	77
Wiring: Wire Harnesses and Connectors	78
Wiring Information	78



Connectors and Cables	79
Surface Mount Tail Lights / Single Tail Lights	80
Marker Light Wrap Around / Recessed Triple Tail Lights	81
Clearance / Side Marker Lights	82
Light Bars and Center High Mount Stop Lamp	83
Porch / Utility Lights	84

ACCESSORIES



Security Locks	86 - 87
Wheel Protection: Wheel Bearings and Protectors, Hub Caps, Grease Caps, Fenders, Ball Mounts, Hitch Balls, CHain, Links, and Tire Carriers	88 - 96
Marine Accessories: Outboard Motor Brackets, Dock Bumpers, Boat Ladders, and Boat Guides	97 - 101
Power Sports – Ramps and Lifts	102 - 103

CROSS REFERENCE CHART	104
---------------------------------	-----

WARRANTY INFORMATION	Inside Back Cover
--------------------------------	-------------------



CEQUENT TRAILER PRODUCTS HISTORY



CEQUENT™

A TRIMAS COMPANY

Cequent Trailer Products, based in Mosinee, Wisconsin, is one of five divisions of the Cequent Group, which is in turn a division of TriMas Corporation.

The company employs over 1,500 associates working together to provide global leadership in the industries of transportation accessories and cargo management solutions. Several industry-leading brands are the core of Cequent's business, including such well-known names as Draw-Tite®, Reese®, Tekonsha®, BULLDOG®, Fulton®, and Wesbar®.

These brands represent best-in-class performance in markets around the world. Cequent Trailer Products' strength is the ability to provide bundled solutions, but it is the 80-plus-year-old heritage of the company's brands that make everything possible.

1911 - The Fulton Company is established in Milwaukee, Wisconsin, initially as a sales organization for automobile accessories. It soon begins manufacturing its own line of parts and accessories for sale to the automotive aftermarket. This continues until the early 1950's.

1919 - In a small third floor room over his car dealership in Wausau, Wisconsin, Thomas J. Jacob begins making high-quality precision tools of his own design. His venture becomes known as the Hammer Blow Tool Company. The death of a favorite hunting dog due to an accident involving a poorly-designed trailer hitch leads Jacob to develop the first drop-forged ball-and-socket trailer hitch, which he names the "Never Lets Go" Bull Dog. More inventions follow, positioning Hammer Blow at the forefront of the trailer industry at its infancy.

1930's - Demonstration models of camper trailers built by Jacob at the Chicago World's Fair set off a period of rapid growth in the industry.

1940's - Fulton develops stamped steel trailer couplers in response to war-related material shortages and the desire of trailer manufacturers who want to weld couplers directly to trailer tongues. As the trailer manufacturing industry develops, the innovation of the stamped steel coupler creates a unique market for Fulton, which became the exclusive supplier of couplers from the 1950's through the early 1960's. Jacob dies in 1945. His wife, Lula, takes over Hammer Blow and guides it with great success for more than 20 years.

1950's - Fulton develops and manufactures stamped steel winches for boat trailers. The company completes the transformation from being an automotive accessory manufacturer to that of a trailer accessory manufacturer.

1960's - Fulton develops a new style of trailer jack (the rack jack) to complement the coupler and winch business. In 1967, Lula Jacob sells Hammer Blow to Neway Equipment Company of Muskegon, Michigan, which later sells to Lear Siegler, Inc.

1970's - Fulton is acquired by Masco Corporation in 1971. In 1977, private investors led by Thomas J. Reinhart purchase and rename The HammerBlow Corporation. Expansion of the mechanical jack line and related products continues for more than a decade.

1980's - Fulton acquires the Morris Midwest line of screw jacks, which develops into a complete line of marine, agricultural, recreational, and industrial line of screw jacks.

1990's - HammerBlow's core business, jacks, expands as other product lines are pruned. The industry leader in the mechanical jack business is now owned and operated by an Executive Committee. Fulton is acquired from Masco Corporation by TriMas Corporation and becomes Fulton Performance Products. A new 191,000 square foot facility is built in Mosinee, Wisconsin.

2000 - Current - Fulton acquires the Wesbar Corporation. In 2001, HammerBlow acquires Hidden Hitch, the 4th largest hitch company in North America. During 2002, The HammerBlow Towing Systems Corporation is formed as a parent company during the acquisition of Tekonsha, and Sure Pull.

In 2003, TriMas Corporation acquires HammerBlow Towing Systems Corporation and makes it a part of Cequent Trailer Products. Chem Chrome is acquired allowing complete internal control of zinc plating capabilities. Bargman acquisition is unveiled which extends the breadth of the trailer product lighting lines into the recreational vehicle markets.

JACKS



Agricultural, Industrial, and RV

pages 4 - 24

BULLDOG jacks are Tough and Trusted, built with uncompromising strength and materials engineered to hold up under rigorous working conditions.



FULTON®

Marine and Recreational

pages 25 - 27

Fulton jacks provide performance with quality and value, making them the most popular choice in many consumer markets.



Economy Marine and Utility

page 28

Eclipse jacks are designed to meet the demands for performance and style required by the energetic marine trailer industry.



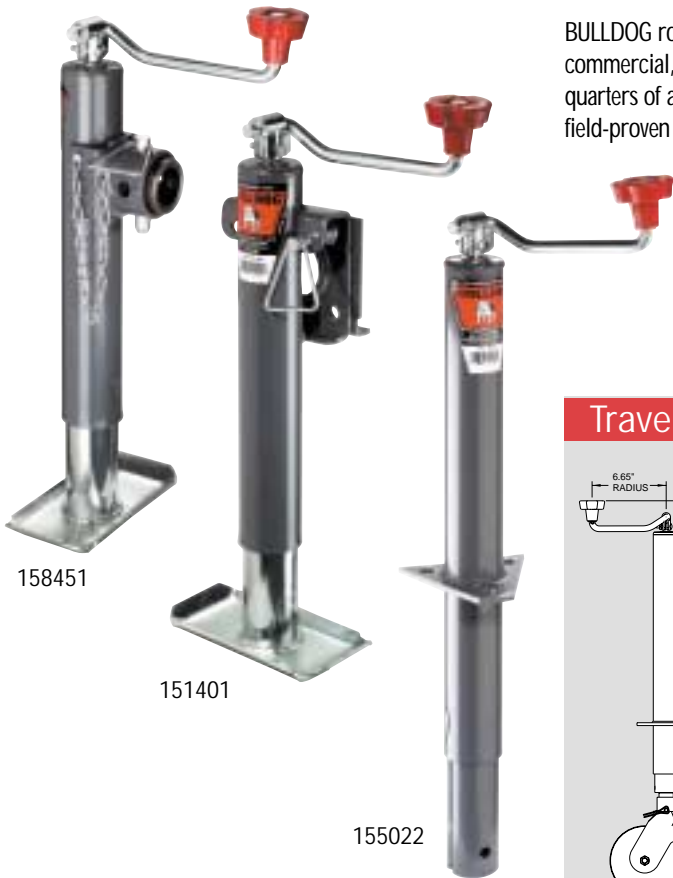
ONE POWERFUL BUNDLED SOLUTION



Round Jacks - Primed Finish

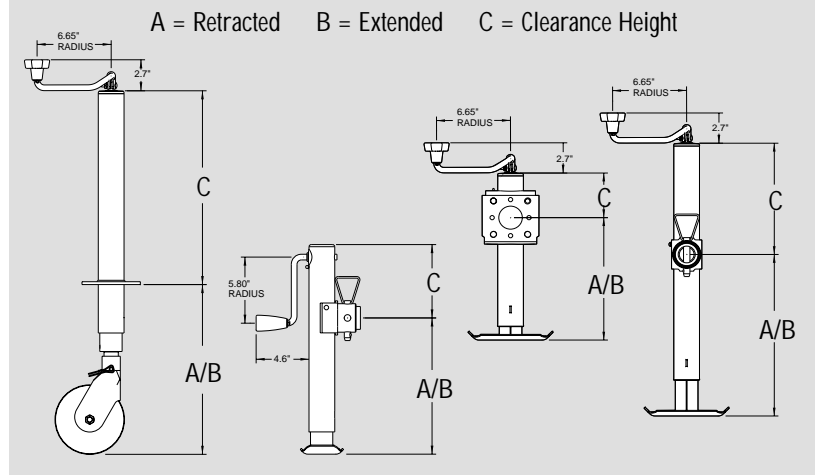
Lift Capacities: 1,000 lbs. – 7,000 lbs.

BULLDOG round jacks are recognized as the industry standard by leading agricultural, commercial, horse, livestock, and other trailer manufacturers. For more than three quarters of a century, BULLDOG jacks have been demonstrated to be the most reliable, field-proven jacks on the market.



- Easy cranking.
- Smooth, comfortable, ergonomic design.
- Dependable vertical and side load capacity.
- Proven reliability for long term use at rated loads.
- Precision fitted parts for extra stability.
- Painted outer tube, zinc-plated inner tube.

Travel and Clearance Diagram



Jack Options



Part No.	Description	Style
Mounting Options		
018201	L-bolt mounting kit for 152 and 162 series	Bolt-on
018945	Bolt-on bracket for tongues up to 3"W x 4"H	Bolt-on
003135	A-frame support plate	Bolt-on / Weld-on
500239	Male tubular swivel mount, 9/16" hole	Tube Mount
500242	Weld-on retaining ring swivel mount	N/A
200238	Female tubular swivel mount	Tube Mount
Handle Options		
019618	Sidewind	N/A
500105	Sidewind	N/A
500180	Topwind	N/A
500148	Topwind	N/A
500171	Sidewind	N/A

Part No.	Description
Wheel / Foot Options	
500245	Removable polyolefin caster. Reduces overall jack capacity from 2,000 lbs. to 800 lbs.
017125	Removable steel caster. Reduces overall jack capacity from 2,000 lbs. to 1,000 lbs.
500244	Detachable disc foot, 2.1" height
018098	Detachable disc foot, 6.2" height
019373	Detachable disc foot, 8.9" height

Round Jacks - Primed Finish

Lift Capacities: 1,000 lbs. – 7,000 lbs.



Standard Round Jacks

Lift Capacity	Handle Styles	Part No.	Model No.	Travel	Measurements (SEE DIAGRAM)			Description	Unit Wt. Lbs.
					A RETRACTED	B EXTENDED	C CLEARANCE		
Tubular Swivel - Round									
2,000 lbs.	Topwind	150161	TWS 150 DTSF w/P&C	10"	11.00"	21.00"	4.00"	Weld-on tubular mount with 5/8" pin and disc foot. Male mating mount not included.	12.9
	Topwind	◆ 158451	TWS 158 DTSF w/P&C	10"	11.00"	21.00"	4.00"	Weld-on tubular mount with 9/16" pin and disc foot. Male mating mount included.	13.5
	Topwind	◆ 158452	TWL 158 DTSF w/P&C	15"	14.50"	29.50"	10.00"	Weld-on tubular mount with 9/16" pin and disc foot. Male mating mount included.	16.0
	Sidewind	158109	SWS 158 DTSF w/P&C	10"	10.80"	20.80"	6.40"	Weld-on tubular mount with 9/16" pin and disc foot. Male mating mount included.	14.0
	Sidewind	◆ 158151	SWL 158 DTSF w/P&C	15"	14.50"	29.50"	12.20"	Weld-on tubular mount with 9/16" pin and disc foot. Male mating mount included.	16.0
5,000 lbs.	Topwind	◆ 178101	TWS 178 DTSF w/P&C	10"	11.25"	21.25"	4.00"	Weld-on tubular mount with 9/16" pin and disc foot. Male mating mount included.	14.5
	Topwind	178151	TWL 178 DTSF w/P&C	15"	14.70"	29.70"	10.00"	Weld-on tubular mount with 9/16" pin and disc foot. Male mating mount included.	18.0
	Sidewind	◆ 178201	SWS 178 DTSF w/P&C	10"	10.40"	20.40"	6.40"	Weld-on tubular mount with 5/8" pin and disc foot. Male mating mount included.	15.0
	Sidewind	178203	SWL 178 DTSF w/P&C	15"	15.40"	30.40"	6.40"	Weld-on tubular mount with 5/8" pin and disc foot. Male mating mount included.	18.0
7,000 lbs.	Topwind	198100	TWS 198 DTSM w/P&C	10"	10.80"	20.80"	4.50"	Weld-on tubular mount with 5/8" pin and disc foot. Female mating mount included.	17.0
	Topwind	198200	TWL 198 DTSM w/P&C	15"	15.80"	30.80"	4.25"	Weld-on tubular mount with 5/8" pin and disc foot. Female mating mount included.	20.0
	Sidewind	◆ 198150	SWS 198 DTSM w/P&C	10"	11.00"	21.00"	6.40"	Weld-on tubular mount with 5/8" pin and disc foot. Female mating mount included.	19.0
	Sidewind	198250	SWL 198 DTSM w/P&C	15"	16.00"	31.00"	6.40"	Weld-on tubular mount with 5/8" pin and disc foot. Female mating mount included.	21.0
A-Frame									
1,000 lbs.	Topwind	155200	TWL 155 HDR	15"	12.00"	27.00"	17.00"	Weld-on/bolt-on bracket with removable poly wheel.	17.2
	Topwind	155300	TWL 155 HDW	15"	12.00"	27.00"	17.00"	Weld-on/bolt-on bracket with removable steel wheel.	17.5
	Topwind	JA104T	N/A	14.5"	7.50"	22.00"	12.75"	Weld-on/bolt-on, painted outer tube, zinc inner tube.	10.0
	Sidewind	155153	SWL 155 HDW	15"	12.00"	27.00"	19.20"	Weld-on/bolt-on bracket with removable steel wheel.	16.5
	Sidewind	155154	SWL 155 HDR	15"	12.00"	27.00"	19.20"	Weld-on/bolt-on bracket with removable poly wheel.	15.9
2,000 lbs.	Topwind	◆ 155022	TWL 155	15"	8.20"	23.20"	12.20"	Weld-on/bolt-on bracket. Less wheel or base. Painted outer and inner tubes.	12.5
	Topwind	155023	TWL 155	15"	12.25"	27.25"	9.20"	Weld-on/bolt-on bracket. Less wheel or base. Painted outer and inner tubes.	12.5
	Topwind	155033	TWL 155X	15"	5.40"	20.40"	16.00"	Weld-on/bolt-on bracket. Less wheel or base. Painted outer and inner tubes.	12.5
	Sidewind	155156	SWL 155X	15"	8.40"	23.5"	15.00"	Handle to side. Painted outer and inner tube. Wheel and base sold sep.	13.5
	Sidewind	155157	SWL 155X (RV)	13"	8.60"	21.50"	13.00"	Handle to front. Weld-on/bolt-on bracket. Less wheel or base. Painted outer and inner tubes.	14.0
3,000 lbs.	Sidewind	155010	SWL 155 X	13"	7.00"	20.00"	14.50"	Weld-on/bolt-on, painted outer tube, painted inner tube. Base not included.	14.0
5,000 lbs.	Topwind	◆ 155032	TWL 155 HD	15"	10.30"	25.30"	10.20"	Weld-on/bolt-on bracket. Less wheel or base. Painted outer and inner tubes. (5000 lb. vertical load capacity)	13.3
	Topwind	175022	TWL 175	15"	8.50"	23.50"	13.00"	Weld-on/bolt-on bracket. Less wheel or base. Painted outer and inner tubes.	13.3
	Topwind	175023	TWL 175	15"	12.30"	27.30"	9.20"	Weld-on/bolt-on bracket. Less wheel or base. Painted outer and inner tubes.	13.3

NOTE: Other custom-made designs are available upon request. ◆ DENOTES MOST POPULAR



Round Jacks - Primed Finish

Lift Capacities: 1,000 lbs. – 7,000 lbs.



Standard Round Jacks

Lift Capacity	Handle Styles	Part No.	Model No.	Travel	Measurements (SEE DIAGRAM)			Description	Unit Wt. Lbs.
					A RETRACTED	B EXTENDED	C CLEARANCE		
Weld-On Retaining Ring Swivel									
2,000 lbs.	Topwind	◆ 151401	TWS 151 DS	10"	11.00"	21.00"	4.00"	Weld-on L-bend swivel bracket assembled. 1/2" diameter plunger pin. With base.	13.0
	Topwind	151411	TWS 150 DS	10"	11.00"	21.00"	4.00"	Weld-on L-bend swivel bracket. 1/2" diameter plunger pin. With base. Mating mount not included.	11.7
	Sidewind	151416	SWS 150 DS	10"	10.80"	20.80"	6.40"	Weld-on L-bend swivel bracket. 1/2" diameter plunger pin. With base. Mating mount not included.	11.7
	Topwind	151421	TWL 151 DS	15"	14.50"	29.50"	10.00"	Weld-on L-bend swivel bracket assembled. 1/2" diameter plunger pin. With base.	16.0
	Sidewind	◆ 151101	SWS 151 DS	10"	11.00"	21.00"	6.40"	Weld-on L-bend swivel bracket assembled. 1/2" diameter plunger pin. With base.	13.0
	Sidewind	151159	SWL 151 DS	15"	14.50"	29.50"	12.20"	Weld-on L-bend swivel bracket assembled. 1/2" diameter plunger pin. With base.	17.0
5,000 lbs.	Topwind	171401	TWS 171 DS	10"	11.25"	21.25"	4.00"	Weld-on L-bend swivel bracket assembled. 1/2" diameter plunger pin. With base.	14.0
	Topwind	171412	TWL 171 DS	15"	14.50"	29.50"	10.00"	Weld-on L-bend swivel bracket assembled. 1/2" diameter plunger pin. With base.	17.0
Bolt-On Retaining Ring Swivel									
2,000 lbs.	Topwind	◆ 151443	TWS 159 SX	10"	11.00"	21.00"	4.00"	Bolt-on swivel bracket assembled with mounting hardware. 1/2" diameter plunger pin. Without base. Fits tongue up to 3" x 3".	17.8
	Topwind	152401	TWS 152 DS	10"	11.00"	21.00"	4.00"	Bolt-on L-bend swivel bracket assembled with mounting hardware. 1/2" diameter plunger pin. With base.	17.8
	Sidewind	152101	SWS 152 DS	10"	11.00"	21.00"	6.40"	Bolt-on L-bend swivel bracket assembled with mounting hardware. 1/2" diameter plunger pin. With base.	18.0
Plain Mount									
1,000 lbs.	Topwind	JP104T	N/A	14"	19.25"	33.25"	N/A	No foot, no mount, painted outer tube, zinc inner tube.	9.4
	Sidewind	JP104S	N/A	15"	22.50"	37.50"	N/A	No foot, no mount, painted outer tube, zinc inner tube.	10.0
2,000 lbs.	Topwind	150037	TWL 150 X	15"	20.40"	35.40"	N/A	No foot, no mount, painted outer tube, zinc inner tube.	13.0
	Sidewind	150152	SWL 150	15"	26.60"	41.60"	N/A	No foot, no mount, painted outer tube, zinc inner tube.	13.0
5,000 lbs.	Topwind	170150	TWL 170	15"	24.50"	39.50"	N/A	No foot, no mount, painted outer tube, zinc inner tube.	15.0

NOTE: Other custom-made designs are available upon request. ◆ DENOTES MOST POPULAR



151443



151401



178203

Round Jacks - Zinc Finish

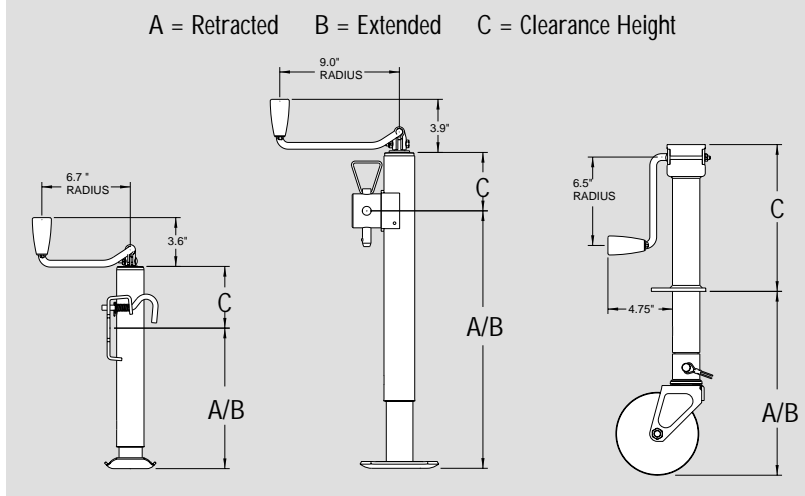
Lift Capacities: 2,000 lbs. – 7,000 lbs.



"The Silver Standard" promotes zinc plating with the highest degree of durability and finished appearance offered in the industry, plus all of these superior features:

- Outer tube is engineered to handle both vertical and side loads with ease, providing dependability and long life.
- 5" longer inner tube is available for taller extended lift clearances.
- Heavy gauge steel base is designed for stability under rated load capacity.
- Tubular mount jacks are fitted with a 2-1/16" I.D. female mount to fit standard (2" O.D. male) tube mounts, female tube has four 90° locking positions.
- Oversize 5/8" pin is standard for greater strength to overcome side load pressure.
- Heavy duty thrust bearings designed to give smooth, trouble-free operation.
- Inner screw features rolled Acme threads for long life and easy cranking.
- Rugged gear package allows eight turns per inch of travel for easy cranking.

Travel and Clearance Diagram



Attaching Parts (Purchased Separately)

Part No.	Description
Mounting Tubes	
005005	Weld-on male mount for 9/16" diameter pull pin.
015279	Weld-on male mount for 5/8" diameter pull pin.
005024	Weld-on female mount for 5/8" diameter pull pin.
800004	Bolt-on flat plate male tube mount for 9/16" diameter pull pin.
800009	Bolt-on flat plate male tube mount for 5/8" diameter pull pin.
Retaining Ring Mounting Brackets	
015939	Weld-on L-bend, retaining ring swivel plate for 3/8" diameter plunger pin.
015289	Weld-on flat, retaining ring swivel plate for 3/8" diameter plunger pin.
800002	Bolt-on flanged, retaining ring swivel plate mounting plate for 3/8" diameter plunger pin.
Retaining Ring	
015904	Retaining ring.





Round Jacks - Zinc Finish

Lift Capacities: 2,000 lbs. – 7,000 lbs.



Standard Round Jacks

Lift Capacity	Handle Styles	Part No.	Model No.	Travel	Measurements (SEE DIAGRAM)			Description	Unit Wt. Lbs.
					A RETRACTED	B EXTENDED	C CLEARANCE		
Tubular Swivel Mount - Round									
2,000 lbs.	Topwind	◆ 610013	2TM-10-0	10"	9.60"	19.60"	4.25"	5/8" pull pin assembly. With base, without mating mount.	9.8
	Topwind	610015	2TM-15-0	15"	14.60"	29.60"	4.25"	5/8" pull pin assembly. With base, without mating mount.	11.9
	Topwind	610016	2TM-15-5	15"	19.60"	34.60"	4.25"	5/8" pull pin assembly. With base, without mating mount.	12.6
	Sidewind	◆ 620013	2SM-10-0	10"	9.70"	19.70"	6.25"	5/8" pull pin assembly. With base, without mating mount.	11.0
	Sidewind	620015	2SM-15-0	15"	14.70"	29.70"	6.25"	5/8" pull pin assembly. With base, without mating mount.	13.3
	Sidewind	620016	2SM-15-5	15"	19.70"	34.70"	6.25"	5/8" pull pin assembly. With base, without mating mount.	14.0
3,000 lbs.	Topwind	◆ 610017	3TM-10-0	10"	10.35"	20.35"	4.25"	5/8" pull pin assembly. With base, without mating mount.	11.3
	Topwind	610019	3TM-15-0	15"	15.35"	30.35"	4.25"	5/8" pull pin assembly. With base, without mating mount.	13.6
	Topwind	610020	3TM-15-5	15"	20.35"	35.35"	4.25"	5/8" pull pin assembly. With base, without mating mount.	14.4
	Sidewind	◆ 620017	3SM-10-0	10"	10.40"	20.40"	6.25"	5/8" pull pin assembly. With base, without mating mount.	12.5
	Sidewind	620019	3SM-15-0	15"	15.40"	30.40"	6.25"	5/8" pull pin assembly. With base, without mating mount.	13.6
	Sidewind	620020	3SM-15-5	15"	20.40"	35.40"	6.25"	5/8" pull pin assembly. With base, without mating mount.	14.4
5,000 lbs.	Topwind	610021	5TM-10-0	10"	10.35"	20.35"	4.25"	5/8" pull pin assembly. With base, without mating mount.	11.6
	Topwind	◆ 610023	5TM-15-0	15"	15.35"	30.35"	4.25"	5/8" pull pin assembly. With base, without mating mount.	14.3
	Topwind	610024	5TM-15-5	15"	20.35"	35.35"	4.25"	5/8" pull pin assembly. With base, without mating mount.	15.6
	Sidewind	620021	5SM-10-0	10"	10.40"	20.40"	6.25"	5/8" pull pin assembly. With base, without mating mount.	11.6
	Sidewind	◆ 620023	5SM-15-0	15"	15.40"	30.40"	6.25"	5/8" pull pin assembly. With base, without mating mount.	14.3
	Sidewind	620024	5SM-15-5	15"	20.40"	35.40"	6.25"	5/8" pull pin assembly. With base, without mating mount.	15.6
7,000 lbs.	Topwind	610052	7TM-10-0	10"	10.75"	20.75"	4.25"	5/8" pull pin assembly. With base, without mating mount.	15.5
	Topwind	610054	7TM-15-0	15"	15.75"	30.75"	4.25"	5/8" pull pin assembly. With base, without mating mount.	18.5
	Topwind	610055	7TM-15-5	15"	20.75"	35.75"	4.25"	5/8" pull pin assembly. With base, without mating mount.	19.8
	Sidewind	620055	7SM-10-0	10"	11.00"	21.00"	6.40"	5/8" pull pin assembly. With base, without mating mount.	17.5
	Sidewind	◆ 620057	7SM-15-0	15"	16.00"	31.00"	6.40"	5/8" pull pin assembly. With base, without mating mount.	19.5
	Sidewind	620058	7SM-15-5	15"	21.00"	36.00"	6.40"	5/8" pull pin assembly. With base, without mating mount.	20.8
Tubular Swivel Mount - Square									
2,000 lbs.	Sidewind	158118	SWS 158 DTSFX w/P&C	10"	10.90"	20.90"	6.40"	Square tubular mount with 5/8" pin and disc foot. Includes male mating mount.	14.0
A-Frame									
2,000 lbs.	Topwind	155103	TWL 155 X	15"	8.20"	23.20"	12.20"	Weld-on/bolt-on bracket. Less wheel or base.	7.2
	Topwind	610077	2TV4-10-0	10"	6.60"	16.60"	8.75"	Weld-on/bolt-on A-frame mount. Without base.	7.2
	Topwind	◆ 610063	2TV4-15-0	15"	6.60"	21.60"	15.75"	Weld-on/bolt-on A-frame mount. Without base.	10.3
	Topwind	610091	2TV6-15-0	15"	8.60"	23.60"	13.75"	Weld-on/bolt-on A-frame mount. Without base.	10.3
	Sidewind	620075	2SV6-10-0	10"	8.90"	23.90"	15.75"	Weld-on/bolt-on A-frame mount. Without base.	8.9
	Sidewind	620076	2SV4-10-0	10"	6.90"	16.90"	10.75"	Weld-on/bolt-on A-frame mount. Without base.	8.9
	Sidewind	620077	2SV4-15-0	15"	6.90"	21.90"	17.75"	Weld-on/bolt-on A-frame mount. Without base.	12.0
5,000 lbs.	Topwind	610059	5TV4-10-0	10"	6.70"	16.70"	8.70"	Weld-on/bolt-on A-frame mount. Without base.	8.3
	Topwind	610092	5TV8-15-0	15"	10.70"	25.70"	11.70"	Weld-on/bolt-on A-frame mount. Without base.	11.9
	Topwind	610093	5TV10-15-0	15"	12.70"	27.70"	9.70"	Weld-on/bolt-on A-frame mount. Without base.	11.9
	Sidewind	620078	5SV4-10-0	10"	6.70"	16.70"	10.75"	Weld-on/bolt-on A-frame mount. Without base.	9.6
	Sidewind	◆ 620079	5SV8-15-0	15"	10.70"	25.70"	13.75"	Weld-on/bolt-on A-frame mount. Without base.	11.8
Sidewind	620080	5SV10-15-0	15"	12.70"	25.45"	14.75"	Weld-on/bolt-on A-frame mount. Without base.	11.8	

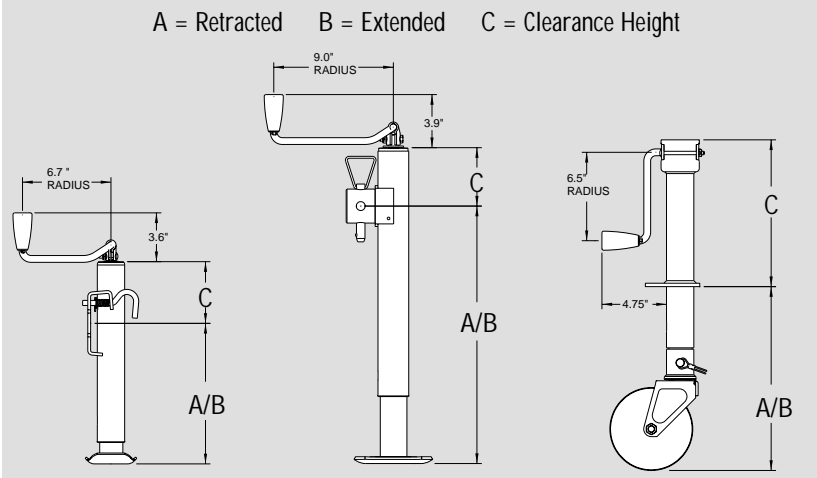
NOTE: 5/8" diameter pull pin is standard on tubular swivel jacks. 9/16" diameter is available as an option. Be sure to specify when ordering. ◆ DENOTES MOST POPULAR

Round Jacks - Zinc Finish

Lift Capacities: 2,000 lbs. – 5,000 lbs.



Travel and Clearance Diagram



610001



Standard Round Jacks



Lift Capacity	Handle Styles	Part No.	Model No.	Travel	Measurements (SEE DIAGRAM)			Description	Unit Wt. Lbs.
					A RETRACTED	B EXTENDED	C CLEARANCE		
Retaining Ring Swivel									
2,000 lbs.	Topwind	◆ 610001	2TS-10-0	10"	9.40"	19.40"	4.50"	3/8" plunger pin assembly. With base, without mating mount.	9.5
	Topwind	610003	2TS-15-0	15"	14.40"	29.40"	4.50"	3/8" plunger pin assembly. With base, without mating mount.	11.6
	Topwind	610004	2TS-15-5	15"	19.40"	34.40"	4.50"	3/8" plunger pin assembly. With base, without mating mount.	11.6
	Sidewind	620001	2SS-10-0	10"	9.70"	19.70"	6.25"	3/8" plunger pin assembly. With base, without mating mount.	10.7
	Sidewind	620003	2SS-15-0	15"	14.70"	29.70"	6.25"	3/8" plunger pin assembly. With base, without mating mount.	12.8
	Sidewind	620004	2SS-15-5	15"	19.70"	34.70"	6.25"	3/8" plunger pin assembly. With base, without mating mount.	12.8
3,000 lbs.	Topwind	◆ 610005	3TS-10-0	10"	10.10"	20.10"	4.50"	3/8" plunger pin assembly. With base, without mating mount.	11.0
	Topwind	610007	3TS-15-0	15"	15.10"	30.10"	4.50"	3/8" plunger pin assembly. With base, without mating mount.	13.3
	Topwind	610008	3TS-15-5	15"	20.10"	35.10"	4.50"	3/8" plunger pin assembly. With base, without mating mount.	13.3
	Sidewind	620005	3SS-10-0	10"	10.40"	20.40"	6.25"	3/8" plunger pin assembly. With base, without mating mount.	12.3
	Sidewind	620007	3SS-15-0	15"	15.40"	30.40"	6.25"	3/8" plunger pin assembly. With base, without mating mount.	14.6
	Sidewind	620008	3SS-15-5	15"	20.40"	35.40"	6.25"	3/8" plunger pin assembly. With base, without mating mount.	14.6
5,000 lbs.	Topwind	◆ 610009	5TS-10-0	10"	10.10"	20.10"	4.50"	3/8" plunger pin assembly. With base, without mating mount.	11.3
	Topwind	610011	5TS-15-0	15"	15.10"	30.10"	4.50"	3/8" plunger pin assembly. With base, without mating mount.	13.9
	Topwind	610012	5TS-15-5	15"	20.10"	35.10"	4.50"	3/8" plunger pin assembly. With base, without mating mount.	13.9
	Sidewind	620009	5SS-10-0	10"	10.40"	20.40"	6.25"	3/8" plunger pin assembly. With base, without mating mount.	12.6
	Sidewind	620011	5SS-15-0	15"	15.40"	30.40"	6.25"	3/8" plunger pin assembly. With base, without mating mount.	15.2
	Sidewind	620012	5SS-15-5	15"	20.40"	35.40"	6.25"	3/8" plunger pin assembly. With base, without mating mount.	15.2

NOTE: 3/8" diameter plunger pin is standard on retaining ring swivel jacks. 1/2" diameter is available as an option. Be sure to specify when ordering.

NOTE: All attaching brackets must be purchased separately.

◆ DENOTES MOST POPULAR



Square Jacks

Support Capacity: 5,000 lbs.

Square Up for Side Load Strength.

Compared to round jacks of similar capacities, BULLDOG's 5,000 lb. support capacity square jack dramatically improves side load strength while maintaining the economical benefits of lower capacity jacks. It has the extra side load capacity you need without the costs of increasing overall capacity.

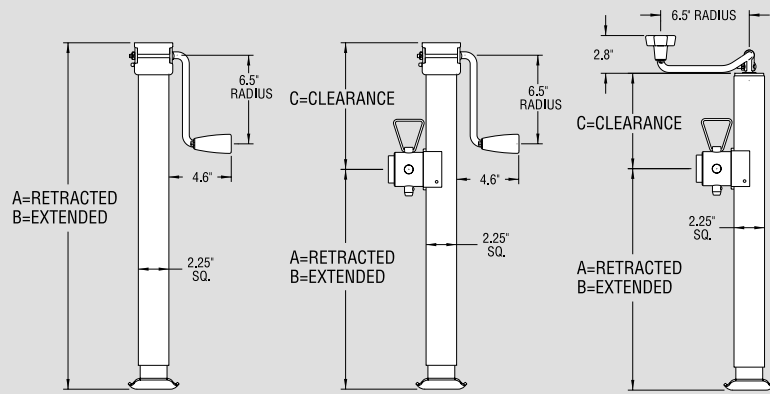
- 12-gauge square tube is 70% stronger than 12-gauge round tube for more side load and support strength with the same lift capacity.
- 4.62" outer tube overlap at full extension for additional side load strength.
- Weather-resistant materials and coatings.
- Proven, reliable mechanical elements provide dependable strength and long-lasting, durable performance.
- Mounts included in this series of jacks.
- Meets ASAE rating S485.



195356

Travel and Clearance Diagram

A = Retracted B = Extended C = Clearance Height



Patent Pending.



195312



195321



Square Jacks 5,000 lbs. Support Capacity • 3,000 lbs. Lift Capacity

Support Capacity	Handle Styles	Part No.	Model No.	Travel	Measurements (SEE DIAGRAM)			Description	Unit Wt. Lbs.
					A RETRACTED	B EXTENDED	C CLEARANCE		
Tubular Swivel Mount - Round									
5,000 lbs.	Topwind	◆ 195306	TWL 195 DTSFQ w/P&C	15"	15.20"	30.20"	7.00"	Fixed leg with base. Crank included. With tubular swivel mount (includes male mating mount, pin, and chain).	17.5
	Topwind	195315	TWL 195 DTSFQX w/P&C	15"	12.60"	27.60"	9.60"	Fixed leg with base. Crank included. With tubular swivel mount (includes female mating mount, pin, and chain). Zinc-plated inner and outer tubes.	17.9
	Topwind	195323	TWL 195 FL DTSF XQ w/P&C	15"	15.20"	30.20"	7.00"	Fixed leg with base. Crank included. Zinc-plated outer tube and inner tube.	17.5
	Sidewind	195371	SWL 195 FL DTSFXQ w/P&C	15"	15.10"	30.10"	9.25"	Fixed leg with base. Crank included. Zinc-plated outer tube and inner tube.	18.5
	Sidewind	◆ 195356	SWL 195 DTSFQ w/P&C	15"	15.10"	30.10"	9.25"	Fixed leg with base. Crank included. With tubular swivel mount (includes male mating mount, pin, and chain).	18.5
Tubular Swivel Mount - Square									
5,000 lbs.	Topwind	◆ 195312	TWL 195 DTSXFQ w/P&C	15"	15.20"	30.20"	7.00"	Fixed leg with base. Crank included. Square mount welded to outer tube (includes male mating mount, pin, and chain).	17.5
	Sidewind	195362	SWL 195 DTSXFQ w/P&C	15"	15.10"	30.10"	9.25"	Fixed leg with base. Crank included. Square mount welded to outer tube (includes male mating mount, pin, and chain).	18.4
A-Frame									
5,000 lbs.	Topwind	195318	TWL 195 DL-DFXQ	15"	7.90"	36.50"	14.70"	Drop leg with base. Drop leg offers 13.50" additional adjustment. Crank included.	19.3
	Topwind	◆ 195321	TWL 195 FL-FXQ	15"	7.40"	22.40"	14.70"	Fixed leg less base. Drop leg offers 13.50" additional adjustment. Crank included.	13.8
	Topwind	195322	TWL 195 DL-DFXQ	15"	7.90"	36.50"	14.70"	Drop leg with base. Drop leg offers 13.50" additional adjustment. Crank included. Zinc outer and inner tube.	19.3
	Sidewind	195370	SWL 195 FL-FXQ	15"	7.40"	22.40"	16.75"	Fixed leg less base. Crank included.	15.2
	Sidewind	195372	SWL 195 DL-DFXQ	15"	8.00"	36.60"	16.75"	Drop leg with base. Drop leg offers 13.50" additional adjustment. Crank included.	21.3
	Sidewind	195373	SWL 195 DL-DFXQ	15"	8.00"	36.60"	16.75"	Drop leg with base. Drop leg offers 13.50" additional adjustment. Crank included. Handle to front.	21.3
Direct Weld									
5,000 lbs.	Topwind	◆ 195301	TWL 195 DQ	15"	22.20"	37.20"	N/A	Fixed leg with base. Crank included.	14.1
	Topwind	195302	TWS 195 DQ	10"	15.50"	25.50"	N/A	Fixed leg with base. Crank included.	11.1
	Topwind	◆ 195304	TWL 195 DL-DXQ	15"	22.60"	51.20"	N/A	Drop leg with base. Drop leg offers 13.50" additional adjustment. Crank included.	18.2
	Topwind	195319	TWL 195 FL-BXQ	15"	22.30"	37.30"	N/A	Fixed leg with caster base. Crank included.	14.1
	Topwind	195320	TWL 195 FL-XQ	15"	22.10"	37.10"	N/A	Fixed leg less base. Crank included.	12.7
	Sidewind	195351	SWS 195 DQ	10"	17.60"	27.60"	N/A	Fixed leg with base. Crank included.	12.4
	Sidewind	195352	SWL 195 DQ	15"	24.40"	39.40"	N/A	Fixed leg with base. Crank included.	16.1
	Sidewind	◆ 195354	SWL 195 DL-DXQ	15"	25.50"	54.10"	N/A	Drop leg with base. Drop leg offers 13.50" additional adjustment. Crank included.	20.2
	Sidewind	195368	SWL 195 FL-XQ	15"	24.40"	39.40"	N/A	Fixed leg with caster base. Crank included.	16.1
Sidewind	195369	SWL 195 FL-XQ	15"	24.20"	39.20"	N/A	Fixed leg less base. Crank included.	14.7	

◆ DENOTES MOST POPULAR



Square Jacks

Support Capacity: 7,000 lbs.

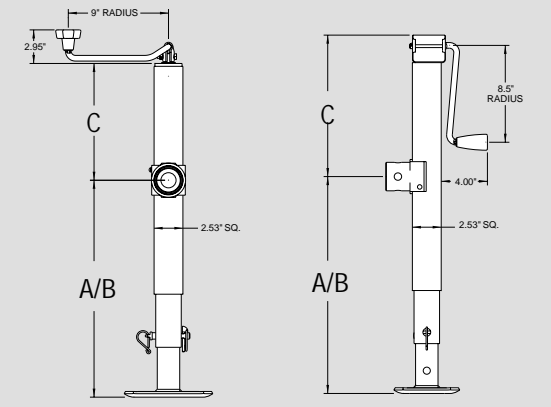


BULLDOG's 7,000 lb. support capacity square jack serves the agricultural, industrial, construction, horse/livestock trailer, and utility/cargo trailer markets. We have packed "Big Jack Power" into this compact design! The compact design of these jacks makes them ideal for tight-fitting applications where 3" and 4" square tube jacks are too big! This is a perfect transition from BULLDOG's round jack product line.

- Heavy-gauge 2.5" square tubing for direct weld mounting wherever the application allows – no burn through.
- Zinc-plated inner tube and drop leg.
- Zero water retention base.
- Use the painted outer tube as the final finish or primer.
- Oil-impregnated bushing for improved bearing and gear life.
- Mounts purchased separately in this series of jacks.
- Meets ASAE rating S485.

Travel and Clearance Diagram

A = Retracted B = Extended C = Clearance Height



Square Jacks 7,000 lbs. Support Capacity • 5,000 lbs. Lift Capacity

Support Capacity	Handle Styles	Part No.	Model No.	Travel	Measurements (SEE DIAGRAM)			Description	Unit Wt. Lbs.
					A RETRACTED	B EXTENDED	C CLEARANCE		
Tubular Swivel Mount									
7,000 lbs.	Topwind	◆ 190705	TWS 190 FL-B TSMQ w/P&C	10"	11.41"	21.41"	4.25"	Fixed leg with heavy-duty base. Crank included. Painted outer tube, zinc-plated inner tube. With tubular swivel mount (includes mating mount, pin and chain).	18.0
	Topwind	190706	TWL 190 FL-B TSMQ w/P&C	15"	12.16"	27.16"	10.25"	Fixed leg with heavy-duty base. Crank included. Painted outer tube, zinc-plated inner tube. With tubular swivel mount (includes mating mount, pin and chain).	22.5
	Topwind	190708	TWL 190 DL-B TSMQ w/P&C	15"	12.66"	41.16"	10.25"	Drop leg with heavy-duty base. Drop leg offers 13.50" additional adjustment. Crank included. Painted outer tube, zinc-plated inner tube. With tubular swivel mount (includes mating mount, pin and chain).	27.0
	Sidewind	190755	SWS 190 FL-B TSMQ w/P&C	10"	11.41"	21.41"	6.40"	Fixed leg with heavy-duty base. Crank included. Painted outer tube, zinc-plated inner tube. With tubular swivel mount (includes mating mount, pin and chain).	20.0
	Sidewind	◆ 190756	SWL 190 FL-B TSMQ w/P&C	15"	12.16"	27.16"	12.40"	Fixed leg with heavy-duty base. Crank included. Painted outer tube, zinc-plated inner tube. With tubular swivel mount (includes mating mount, pin and chain).	24.0
	Sidewind	190758	SWL 190 DL-B TSMQ w/P&C	15"	22.66"	41.16"	12.40"	Drop leg with heavy-duty base. Drop leg offers 13.50" additional adjustment. Crank included. Painted outer tube, zinc-plated inner tube. With tubular swivel mount (includes mating mount, pin and chain).	28.5
Direct Weld									
7,000 lbs.	Topwind	190701	TWS 190 FL-BQ	10"	15.41"	25.66"	–	Fixed leg with heavy-duty base. Crank included. Painted outer tube, zinc-plated inner tube.	15.0
	Topwind	190702	TWL 190 FL-BQ	15"	22.16"	37.41"	–	Fixed leg with heavy-duty base. Crank included. Painted outer tube, zinc-plated inner tube.	19.0
	Topwind	◆ 190704	TWL 190 DL-BQ	15"	22.66"	51.41"	–	Drop leg with heavy-duty base. Drop leg offers 13.50" additional adjustment. Crank included. Painted outer tube, zinc-plated inner tube.	23.5
	Sidewind	190751	SWS 190 FL-BQ	10"	17.81"	27.81"	–	Fixed leg with heavy-duty base. Crank included. Painted outer tube, zinc-plated inner tube.	16.5
	Sidewind	190752	SWL 190 FL-BQ	15"	24.56"	39.56"	–	Fixed leg with heavy-duty base. Crank included. Painted outer tube, zinc-plated inner tube.	20.5
	Sidewind	◆ 190754	SWL 190 DL-BQ	15"	25.06"	53.56"	–	Drop leg with heavy-duty base. Drop leg offers 13.50" additional adjustment. Crank included. Painted outer tube, zinc-plated inner tube.	25.0

Patent Pending. NOTE: Other custom-made designs are available upon request.

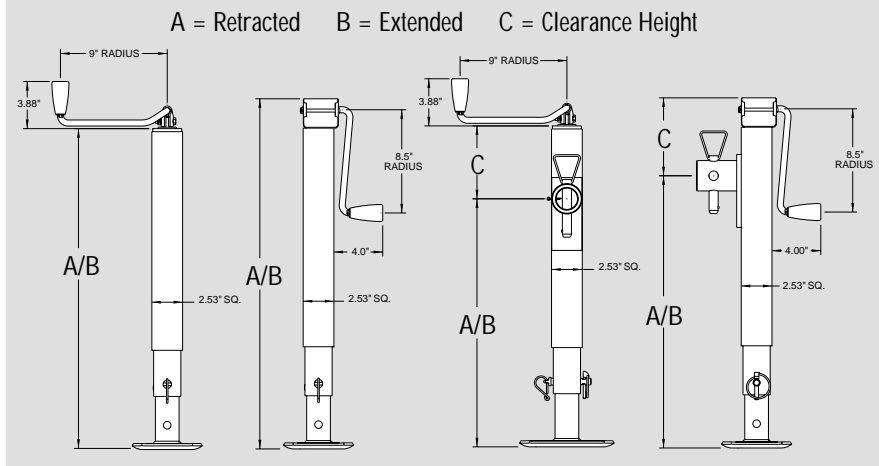
◆ DENOTES MOST POPULAR



Continuous improvement has lifted BULLDOG's 8,000 lb. support capacity jack into a new category of its own.

- Thicker gearbox, manufactured from 1/4" thick material gives greater structural rigidity to improve jack life under heavy loads.
- Hardened wear washer used under gear improves jack life under tension loads.
- Oil-impregnated flanged bushing centers the screw stem to improve bearing and gear life by maintaining screw position.
- Heavy-duty drop leg pin increases support capacity to 8,000 lbs.
- Direct weld to outer tube is standard.

Travel and Clearance Diagram



Square Jacks 8,000 lbs. Support Capacity • 7,000 lbs. Lift Capacity

Support Capacity	Handle Styles	Part No.	Model No.	Travel	Measurements (SEE DIAGRAM)			Description	Unit Wt. Lbs.
					A RETRACTED	B EXTENDED	C CLEARANCE		
Tubular Swivel Mount									
8,000 lbs.	Topwind	◆ 190554	TWL 190 FL DTSM w/P&C	15"	15.0"	30.0"	10.5"	Fixed leg with base. 2-1/2" O.D. tube mount with 3/4" pin and chain assembly, less mating mount (003155). Painted outer tube, plated inner tube.	25.5
	Topwind	◆ 190593	TWL 190 FL DTSM w/P&C	15"	15.0"	30.0"	10.5"	Fixed leg with base. 2-1/2" O.D. tube mount with 3/4" pin and chain assembly, includes mating mount (003155). Painted outer tube, plated inner tube.	25.5
	Sidewind	190574	SWL 190 FL DTSM w/P&C	15"	15.3"	30.3"	12.6"	Fixed leg with base. 2-1/2" O.D. tube mount with 3/4" pin and chain assembly, less mating mount (003155). Painted outer tube, plated inner tube.	26.5
	Sidewind	190594	SWL 190 FL DTSM w/P&C	15"	15.3"	30.3"	12.6"	Fixed leg with base. 2-1/2" O.D. tube mount with 3/4" pin and chain assembly, includes mating mount (003155). Painted outer tube, plated inner tube.	26.5
	Sidewind	190581	SWL 190 FL DTSMX w/P&C	15"	16.3"	31.3"	11.6"	Fixed leg with base. Square mount welded to outer tube, with 5/8" pin and chain, less mating mount (005164). Painted outer tube, plated inner tube.	26.5
Direct Weld									
8,000 lbs.	Topwind	◆ 190500	TWL 190 DL	15"	21.5"	50.0"	-	Drop leg with base. 13.50" of additional drop leg extension. Painted outer tube, plated inner tube and drop leg.	24.0
	Topwind	◆ 190505	TWL 190 FLX	15"	20.5"	35.5"	-	Fixed leg, no base. Painted outer tube, plated inner tube.	20.0
	Sidewind	◆ 190510	SWL 190 DL	15"	24.0"	52.5"	-	Drop leg with base. 13.50" of additional drop leg extension. Painted outer tube, plated inner tube and drop leg.	26.0
	Sidewind	190523	SWL 190 FLX	15"	23.0"	38.0"	-	Fixed leg, no base. Painted outer tube, plated inner tube.	21.0
	Sidewind	190586	SWL 190 DLX	15"	24.0"	52.5"	-	Drop leg with base. 13.50" of additional drop leg extension. All tubes painted.	26.0
	Topwind	190587	TWL 190 DLX	15"	21.5"	50.0"	-	Drop leg with base. 13.50" of additional drop leg extension. All tubes painted.	24.0

NOTE: Other custom-made designs are available upon request.

◆ DENOTES MOST POPULAR



Square Jacks

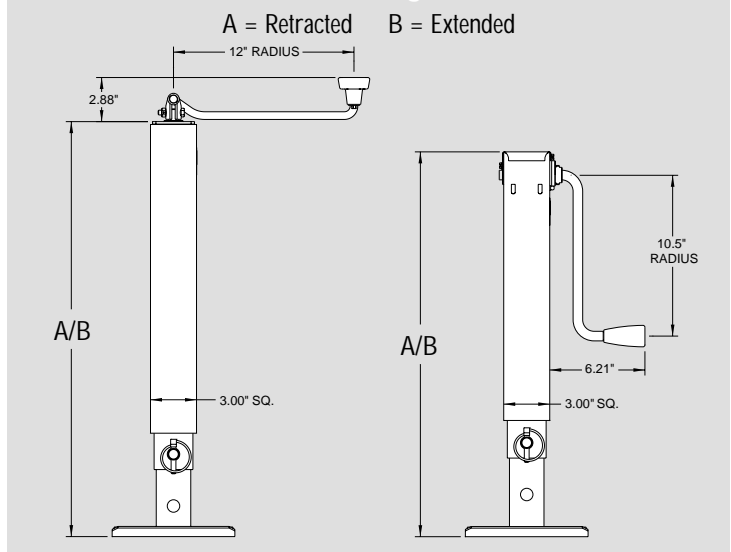
Support Capacity: 10,000 lbs.

BULLDOG's 10,000 lb. support capacity square jack "fills the gap" between 8,000 lb. and 12,000 lb. square jack product offerings. If the existing 8,000 lb. support capacity square jacks are too small or the 12,000 lb. support capacity square jacks are too big, look no further – your application and pricing requirements have been met! This is the highest quality and best performing jack available in the marketplace today, a total balance between capacity, speed, and effort.

- Heavy-gauge 3" square tubing allows for direct weld mounting wherever the application allows – no burn through.
- Zinc-plated inner tube and drop leg.
- Heavy-duty base, with reinforcement ribs, zero water retention.
- Precision manufactured for long term reliability and smooth, easy cranking.
- Use the painted outer tube as the final finish or primer.
- Grease zerk for easy lubrication as needed.
- Oil-impregnated bushing for improved bearing and gear life.
- Direct weld to outer tube is standard.



Travel and Clearance Diagram



Square Jacks 10,000 lbs. Support Capacity • 7,200 lbs. Lift Capacity

Support Capacity	Handle Styles	Part No.	Model No.	Travel	Measurements (SEE DIAGRAM)		Description	Unit Wt. Lbs.
					A RETRACTED	B EXTENDED		
Direct Weld								
10,000 lbs.	Topwind	◆ 180304	TWS 180 DL-BQ	10"	18.18"	38.31"	Drop leg with heavy-duty base. Drop leg offers 10.12" additional adjustment. Crank included. Painted outer tube, zinc-plated inner tube and drop leg.	24.5
	Topwind	180354	TWL 180 DL-BQ	15"	22.93"	51.43"	Drop leg with heavy-duty base. Drop leg offers 13.50" additional adjustment. Crank included. Painted outer tube, zinc-plated inner tube and drop leg.	30.0
	Topwind	180364	TWS 180 FL-BQ	10"	16.56"	26.56"	Fixed leg with heavy-duty base. Crank included. Painted outer tube, zinc-plated inner tube.	19.5
	Topwind	180384	TWL 180 FL-BQ	15"	22.06"	37.06"	Fixed leg with heavy-duty base. Crank included. Painted outer tube, zinc-plated inner tube.	24.0
	Sidewind*	◆ 180405	SWS 180 DL-BQ	10"	20.92"	41.04"	Drop leg with heavy-duty base. Drop leg offers 10.12" additional adjustment. Crank included. Painted outer tube, zinc-plated inner tube and drop leg.	27.0
	Sidewind*	◆ 180455	SWL 180 DL-BQ	15"	25.67"	54.17"	Drop leg with heavy-duty base. Drop leg offers 13.50" additional adjustment. Crank included. Painted outer tube, zinc-plated inner tube and drop leg.	32.5
	Sidewind*	180565	SWS 180 FL-BQ	10"	19.29"	29.29"	Fixed leg with heavy-duty base. Crank included. Painted outer tube, zinc-plated inner tube.	22.0
	Sidewind*	180585	SWL 180 FL-BQ	15"	24.79"	39.79"	Fixed leg with heavy-duty base. Crank included. Painted outer tube, zinc-plated inner tube.	27.0

Patent Pending. NOTE: Other custom-made designs are available upon request. *Meets ASAE rating S485.

◆ DENOTES MOST POPULAR

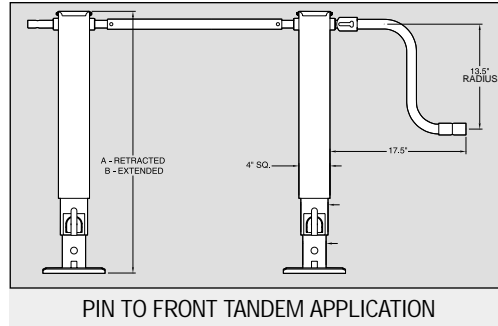
Heavy Duty Square Jacks

Support Capacity: 12,000 lbs.

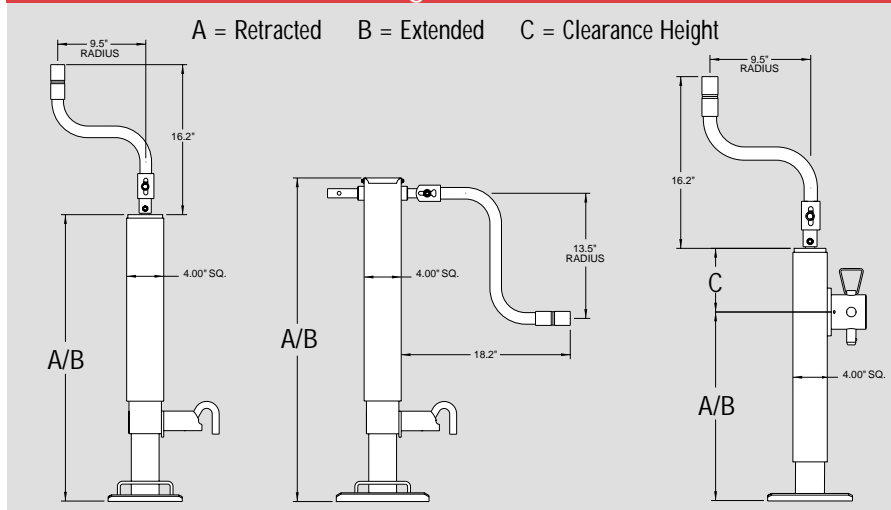


Strong, durable, and sturdy, the BULLDOG 12,000 lb. support capacity square jack is the BIG reason why BULLDOG has carried the load in agricultural, construction heavy-duty utility, and horse/livestock trailer industries since 1923. All BULLDOG 4" square jacks are rated for 12,000 lb. support capacity and 10,000 lb. lift capacity. The strength of the product, plus the wide variety of styles, makes this jack the best choice in its product class.

- 4" square tubing, 7-gauge superior alloy steel.
- Painted outer tube, inner tube, and drop leg – if applicable.
- Drop leg option with 5 positioning holes.
- Easy-access gear box for routine maintenance.
- Spring return drop leg or non-spring return drop leg.
- 12.5" screw travel, 13.5" of additional adjustment with drop leg.
- Front facing drop leg plunger pin or side facing drop leg plunger pin.
- Painted (with or without labels) or powder paint optional.

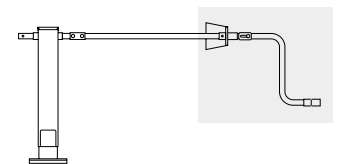


Travel and Clearance Diagram



Accessories

Part No.	Description	Unit Wt. (Lbs.)
005122	Weld-on female mount for 7/8" pull pin. 4.00" O.D., 3.375" I.D., 2.75" long.	3.0
015181	Sidewind crank assembly with 13.50" radius. Vertical clevis. Mounting hardware included. Extends 17.50" from the jack. Black primed finish.	3.5
015193	Sidewind crank assembly with 13.50" radius. Vertical clevis. Includes crank, coupling, support bracket, and mounting hardware. Cross shaft not included. Extends 17.50" from coupling assembly. Black primed finish.	5.0
701140	Sidewind crank assembly with 13.50" radius. Vertical clevis. Mounting hardware not included. Extends 17.50" from the jack. Black primed finish.	3.5
701213	Sidewind crank assembly with 13.50" radius. Horizontal clevis. Mounting hardware not included. Extends 17.50" from the jack. Black primed finish.	3.5
701495	Sidewind crank assembly with 13.50" radius. Horizontal clevis. Mounting hardware not included. Extends 17.50" from the jack. Silver powder paint finish.	3.5
701496	Sidewind crank assembly with 13.50" radius. Vertical clevis. Mounting hardware not included. Extends 17.50" from the jack. Silver powder paint finish.	3.5
800075	Topwind crank assembly with 9.50" radius. Vertical clevis. Mounting hardware included. Extends 15.50" from the top of the jack. Black primed finish.	3.0
800090	Sidewind crank assembly with 13.50" radius. Horizontal clevis. Mounting hardware included. Extends 17.50" from the jack. Black primed finish.	4.5
800130	Sidewind crank assembly with 13.00" radius. Vertical clevis. Mounting hardware included. Extends 27.2" from the jack. Black primed finish.	4.5



JACKS

Patent Pending.



Heavy Duty Square Jacks

Support Capacity: 12,000 lbs.

Heavy Duty Square Jacks 12,000 lbs. Support Capacity • 10,000 lbs. Lift Capacity

Support Capacity	Handle Styles	Part No.	Model No.	Travel	Measurements (SEE DIAGRAM)			Description	Unit Wt. Lbs.
					A RETRACTED	B EXTENDED	C CLEARANCE		
Direct Weld - Non-Spring Return									
12,000 lbs.	Topwind	182300	TWQ 180 DL-B	12.5"	23.4"	49.4"	N/A	Drop leg jack with standard disc foot. 13.50" of additional drop leg extension. Less crank.	50.0
	Topwind	◆ 182304	TWQ 180 DL-BC	12.5"	23.4"	49.4"	N/A	Drop leg jack with standard disc foot. 13.50" of additional drop leg extension. Includes crank.	53.0
	Topwind	182360	TWQ 180 FL-B	12.5"	23.0"	35.5"	N/A	Fixed leg jack with standard disc foot. Less crank.	37.5
	Topwind	182364	TWQ 180 FL-BC	12.5"	23.0"	35.5"	N/A	Fixed leg jack with standard disc foot. Includes crank.	40.5
	Sidewind	◆ 182400	SWQ 180 DL-B	12.5"	27.4"	53.3"	N/A	Drop leg jack with standard disc foot. 13.50" of additional drop leg extension. Less crank.	58.0
	Sidewind	182404	SWQ 180 DL-BC	12.5"	27.4"	53.3"	N/A	Drop leg jack with standard disc foot. 13.50" of additional drop leg extension. Includes crank.	61.5
	Sidewind	182411	SWQ 180 DL-B	12.5"	27.4"	53.5"	N/A	PIN TO CURB - Drop leg jack with standard disc foot. 13.50" of additional drop leg extension. Less crank. Companion jack to 182400 and 182404.	58.0
	Sidewind	◆ 182415	SWQ 180 DL-BX	12.5"	28.6"	54.6"	N/A	PIN TO FRONT - Drop leg jack with standard disc foot. 13.50" of additional drop leg extension. Less crank.	58.0
	Sidewind	182450	SWQ 180 DL-L	12.5"	31.6"	54.2"	N/A	Drop leg jack with self-leveling disc foot. 13.50" of additional drop leg extension. Less crank.	59.3
	Sidewind	182500	SWQ 180 FL-B	12.5"	27.0"	39.5"	N/A	Fixed leg jack with standard disc foot. Less crank.	47.0
Sidewind	182550	SWQ 180 FL-L	12.5"	27.5"	40.0"	N/A	Fixed leg jack with self-leveling disc foot. Less crank.	51.3	
Direct Weld - Spring Return									
12,000 lbs.	Sidewind	◆ 182800	SWQ 180 DL-B-SR	12.5"	27.6"	53.6"	N/A	Drop leg jack with standard disc foot. 13.50" of additional drop leg extension. Less crank.	57.4
	Sidewind	182802	SWQ 180 DL-BX W/SR W/LABEL W/HARDWARE	12.5"	27.4"	53.5"	N/A	Drop leg jack with standard disc foot. 13.50" of additional drop leg extension. Less crank. Includes crank hardware attached to input shaft.	57.0
	Sidewind	182804	SWQ 180 DL-BC-SR	12.5"	27.6"	53.6"	N/A	Drop leg jack with standard disc foot. 13.50" of additional drop leg extension. Includes crank.	60.9
	Sidewind	182805	SWQ 180 DL-BX RH	12.5"	27.4"	53.5"	N/A	PIN TO CURB - Drop leg jack with standard disc foot. 13.50" of additional drop leg extension. Less crank. Companion jack to 182800, 182802, and 182804.	57.4
	Sidewind	◆ 182815	SWQ 180 DL-BX	12.5"	28.6"	54.6"	N/A	PIN TO FRONT - Drop leg jack with standard disc foot. 13.50" of additional drop leg extension. Less crank.	58.0
Tubular Swivel - Non Spring Return									
12,000 lbs.	Topwind	182370	TWQ 180 TS-FL-B	12.5"	17.0"	29.5"	10.1"	Fixed leg jack with standard disc foot. Less crank. Includes 3.25" diameter tube mount with pin and chain. Does not include mating mount (005122).	43.0
	Topwind	182374	TWQ 180 TS-FL-BC	12.5"	17.0"	29.5"	6.0"	Fixed leg jack with standard disc foot. Includes crank. Includes 3.25" diameter tube mount with pin and chain. Does not include mating mount (005122).	46.0
	Sidewind	182524	SWQ 180 TS-FL-BCX	12.5"	17.0"	29.5"	6.0"	Fixed leg jack with standard disc foot. Includes crank. Includes 3.25" diameter tube mount with pin and chain. Does not include mating mount (005122).	52.0

Patent Pending. NOTE: Other custom-made designs are available upon request. ◆ DENOTES MOST POPULAR

Model No.	Description	Unit Wt. Lbs.
Accessories		
701466	Removable sidewind crank with 13.5" offset radius. All zinc-plated crank. Dual handle grips for cranking and shifting. For use with OEM supplied outboard bushing or may be attached directly on jack gearbox. Needs adapter with traditional gearbox.	4.0
021378	Adapter sleeve with 3/8" holes used with 701466 in application with traditional style gearbox or single speed jacks.	

NEW! Removable Cranks
Part No. 701466

- Non-slotted design for better weather resistance and 2-speed performance
- Remains firmly attached for convenience or may be removed easily for theft deterrence
- Fits 1" schedule 40 steel pipe for remote mounting



701466



021378

2-Speed Square Jacks

Support Capacity: 12,000 lbs.



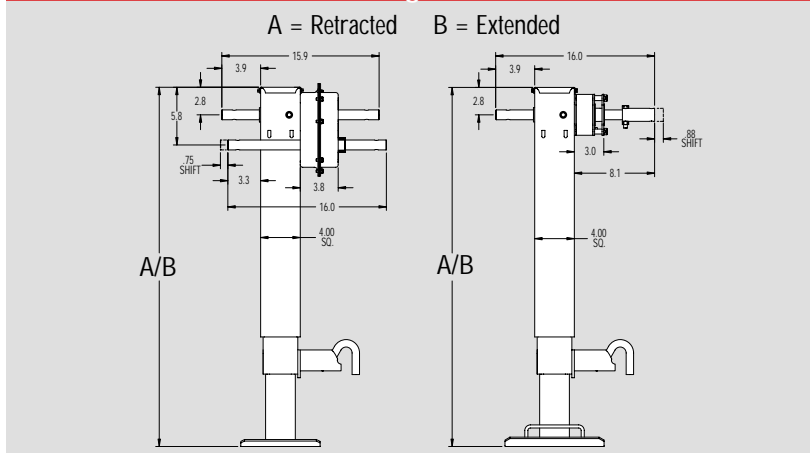
The First 2-Speed Gearbox Designed with a Drop Leg Jack in Mind.

BULLDOG's 2-speed 12,000 lb. support capacity square jack makes cranking easier when fully loaded and faster when unloaded. In low gear, the ratio delivers full lifting power at a super-smooth, easy-lifting 27.7 turns per 1" (planetary) and 29.5 turns per 1" (traditional) of travel. In high gear, the cranking ratio is a speedy 9 turns per 1" of travel, the fastest in its weight class.

- Power and speed in a single design.
- Proven, reliable mechanical elements provide dependable strength and long-lasting, durable performance.
- Innovative, streamlined planetary gearbox design improves performance, utility, and aesthetics.
- Planetary gearbox fits within the width profile of the jack's outer tube, eliminating the need for spacers.



Travel and Clearance Diagram



2-Speed Square Jacks 12,000 lbs. Support Capacity • 10,000 lbs. Lift Capacity

Support Capacity	Gearbox Style	Part No.	Model No.	Travel	Measurements (SEE DIAGRAM)		Description	Companion Jack	Unit Wt. Lbs.
					A RETRACTED	B EXTENDED			
Direct Weld - Non-Spring Return									
12,000 lbs.	Planetary	183401	SWQ 183 DL-BX	12.5"	28.5"	54.6"	2-Speed, drop leg with standard disc foot. 13.50" additional drop leg extension. Drop leg pull pin to the SIDE. Painted outer tube, inner tube, and drop leg. Less crank.	182411	67.0
	Planetary	183416	SWQ 183 DL-BX	12.5"	29.5"	55.6"	2-Speed, drop leg with standard disc foot. 13.50" additional drop leg extension. Drop leg pull pin to the FRONT. Painted outer tube, inner tube, and drop leg. Less crank.	182415	67.0
	Traditional	183900	SWQ 180 DL-B T	12.5"	28.5"	54.6"	2-Speed, drop leg with standard disc foot. 13.50" additional drop leg extension. Drop leg pull pin to the SIDE. Painted outer tube, inner tube, and drop leg. Less crank.	182411	77.0
	Traditional	183901	SWQ 180 DL-BX T	12.5"	29.5"	55.6"	2-Speed, drop leg with standard disc foot. 13.50" additional drop leg extension. Drop leg pull pin to the FRONT. Painted outer tube, inner tube, and drop leg. Less crank.	182415	77.0
Direct Weld - Spring Return									
12,000 lbs.	Planetary	183802	SWQ 183 DL-BX w/SR	12.5"	28.5"	54.6"	2-Speed, drop leg with standard disc foot. 13.50" additional drop leg extension. Drop leg pull pin to the SIDE. Painted outer tube, inner tube, and drop leg. Less crank.	182805	65.0
	Planetary	183816	SWQ 183 DL-BX w/SR	12.5"	29.5"	55.6"	2-Speed, drop leg with standard disc foot. 13.50" additional drop leg extension. Drop leg pull pin to the FRONT. Painted outer tube, inner tube, and drop leg. Less crank.	182815	65.0
	Traditional	183902	SWQ 180 DL-B w/SR T	12.5"	28.5"	54.6"	2-Speed, drop leg with standard disc foot. 13.50" additional drop leg extension. Drop leg pull pin to the SIDE. Painted outer tube, inner tube, and drop leg. Less crank.	182805	77.0
	Traditional	183903	SWQ 180 DL-BX w/SR T	12.5"	29.5"	55.6"	2-Speed, drop leg with standard disc foot. 13.50" additional drop leg extension. Drop leg pull pin to the FRONT. Painted outer tube, inner tube, and drop leg. Less crank.	182815	77.0

Patent Pending.

JACKS



Rack/Gear Jacks

Lift Capacities: 750 lbs. - 1,200 lbs.



165311



162300



165412

750 lb. A-Frame

BULLDOG experience and engineering know-how have produced a line of rack and gear jacks that are tough and trusted, the most preferred jacks used by trailer manufacturers in a variety of industries.

- Smooth-cranking 4 turns per inch of travel.
- Strong, durable design.
- All-welded steel gear box.
- Proven reliability for long term use at rated loads.
- Self-lubricating grease fitting.
- Weather-resistant clear zinc-plated rack post.
- Gray primer-painted steel wheel and gear box.
- Custom designs available.

750 lb. Bolt-On

Bolt-on mounting brackets are BULLDOG's most popular mounting option in the 750 pound capacity line. As tough and trusted as other BULLDOG designs, bolt-on models are made for easy attachment to square or rectangular tubing.

- Fully adjustable for a secure fit.
- Simple, easy-to-use efficient design.
- Available on all major types of BULLDOG rack and gear jacks.

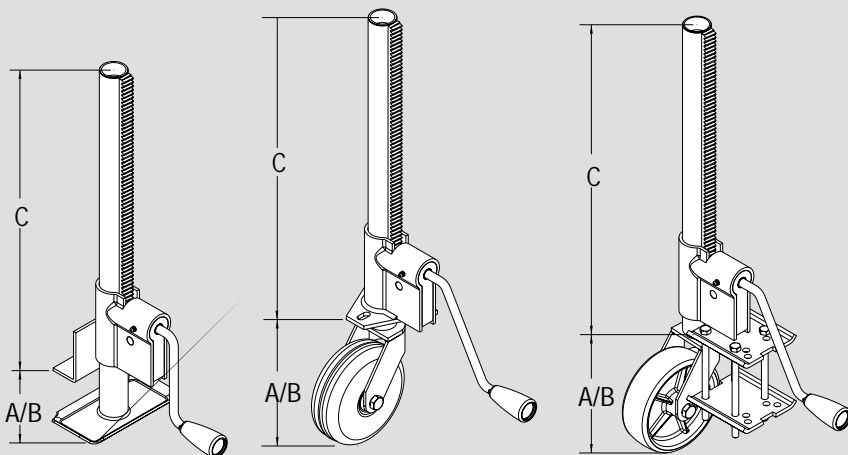
1,200 lb. Heavy-Duty

These heavy-duty rack jacks exemplify BULLDOG's reputation for strength, providing additional lift capacity to a full 1,200 pounds. Specially designed and manufactured to BULLDOG's unparalleled standards, they are ideal for heavier trailers and greater tongue weights – even with trailers using torsion axles that shift the load forward.

- Smooth-cranking 4 turns per inch of travel.
- Powerful heavy-duty gear box.
- Special steel alloy helical gear for extra lift capacity.
- Extra heavy-duty gauge post for maximum side load strength.
- Specially designed gusseted caster bracket for increased stability.
- Superior extension capabilities (up to 26.5" on the HD165WX model, the highest in the industry and ideal for use with big 4x4 trucks).
- Self-lubricating grease fitting.
- Weather-resistant yellow zinc-plated rack post.
- Red oxide primer-painted steel wheel and gear box.
- Custom designs available.

Travel and Clearance Diagram

A = Retracted B = Extended C = Clearance Height





Standard Rack/Gear Jacks 750 lbs. – 1,200 lbs. Lift Capacity

Lift Capacity	Part No.	Model No.	Includes		Travel	Measurements (SEE DIAGRAM)			Description	Unit Wt. Lbs.	
			*Gear Box	*Rack Post		A RETRACTED	B EXTENDED	C CLEARANCE			
L-Bend Weld-on											
750 lbs.	◆ 161100	161 D	018161	018520	16"	2.5"	18.5"	21.2"	Weld-on L-bend bracket with disc foot.	11.4	
		161200	161 R	018161	018007	16"	6.5"	22.5"	21.2"	Weld-on L-bend bracket with polyolefin wheel.	12.9
	◆ 161300	161 W	018161	018006	16"	6.5"	22.5"	21.2"	Weld-on L-bend bracket with steel wheel.	13.7	
L-Bend Bolt-on											
750 lbs.	◆ 162100	162 D	018162†	018520	16"	2.0"	18.0"	21.8"	Bolt-on L-bend bracket with disc foot.	14.4	
		162200	162 R	018162†	018007	16"	6.0"	22.0"	21.8"	Bolt-on L-bend bracket with polyolefin wheel.	15.9
	◆ 162300	162 W	018162†	018006	16"	6.0"	22.0"	21.8"	Bolt-on L-bend bracket with steel wheel.	16.7	
A-Frame											
750 lbs.	◆ 165111	165 D	018155	018520	16"	3.5"	19.5"	20.2"	A-frame weld-on/bolt-on bracket, with disc foot.	11.1	
		165211	165 R	018155	018007	16"	7.5"	23.5"	20.3"	A-frame weld-on/bolt-on bracket, with polyolefin wheel.	12.3
	◆ 165311	165 W	018155	018006	16"	7.5"	23.5"	20.3"	A-frame weld-on/bolt-on bracket, with steel wheel.	13.4	
1,200 lbs.	◆ 165411	HD 165 W	019141	019060	16"	7.5"	23.5"	20.3"	Heavy-duty A-frame weld-on/bolt-on bracket, with heavy-duty 21" long 1,200 pound rack and post, with steel wheel.	14.4	
		165412	HD 165 WX	019141	019080	19"	7.5"	26.5"	23.3"	Heavy-duty A-frame weld-on/bolt-on bracket, with heavy-duty 24" long 1,200 pound rack and post, with steel wheel.	15.1
Rectangular Bolt-on											
750 lbs.	◆ 169201	169 RB	018189†	018308	16"	7.5"	23.5"	20.3"	Bolt-on mount, fits up to 3" x 5" tongue, with mounting kit and polyolefin wheel, black finish.	14.9	
		169301	169 WB	018189†	018306	16"	7.5"	23.5"	20.3"	Bolt-on mount, fits up to 3" x 5" tongue, with mounting kit and steel wheel, black finish.	15.6

† With mounting kit. ◆ DENOTES MOST POPULAR

*Gear boxes and rack post also sold separately. NOTE: Other custom-made designs are available upon request.

Mounting Options

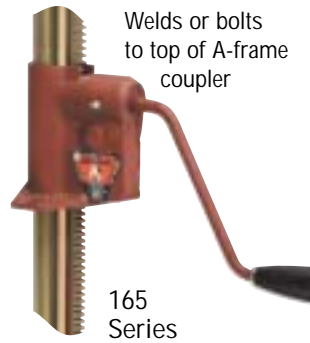
L-Bend Bracket Weld-On



L-Bend Bracket Bolt-On



A-Frame



Bolt-On



Wheel / Foot Options

Caster Wheels

Polyolefin Wheel
750 lb. capacity

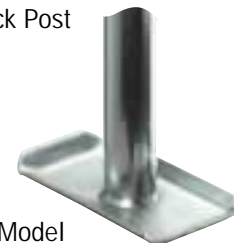


Steel Wheel
750 lb. capacity
1,200 lb. capacity - heavy-duty



Disc Foot

Welded to Jack Post
750 lb. capacity





Ratchet Jacks

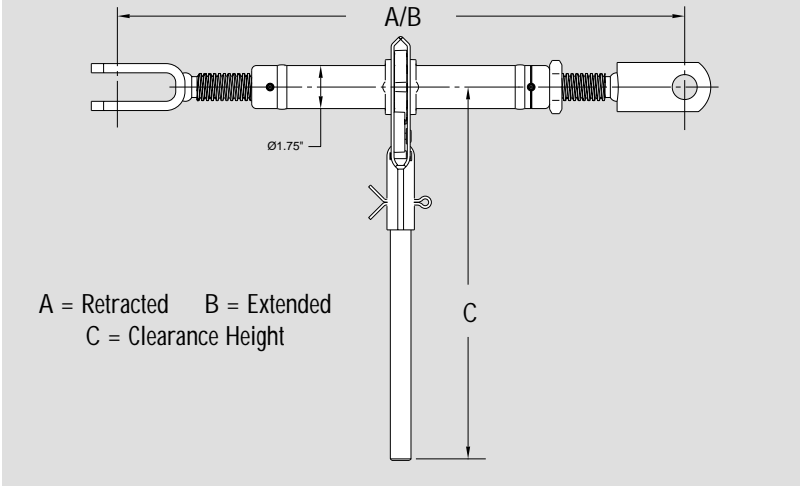
Capacities: 16,000 - 18,500 lbs. Pull (Tension) • 10,000 - 12,500 lbs. Push (Compression)

BULLDOG ratchet jacks are versatile tools for load bearing and lifting, height adjustment, three point hitch elevation, implement leveling, and wheel extension and retraction.

- 3/8" U-brackets tested to the endurance limit by a major OEM. Exceeds the life of the competitive product by a factor of six (other options available).
- Stainless steel flat ratchet spring tested to 20 times the competition's life.
- Reinforced steel assembly housing with user-friendly pawl.
- Corrosion-resistant surfaces.
- Standard measurements of 20" retracted, 28" extended, 8" travel.
- 2 zerk fittings, hexagonal jam nut.
- Yellow zinc dichromate-plated 7" or 12" handle and cotter pin.
- 1-1/8" - 5 yellow zinc dichromate-plated Acme screws.



Travel and Clearance Diagram



Ratchet Jacks

Capacity	Part No.	Travel	Measurements (SEE DIAGRAM)			Description	Unit Wt. Lbs.
			A RETRACTED	B EXTENDED	C CLEARANCE		
U-Bracket Clevis							
16,000 lbs. - Pull 10,000 lbs. - Push	◆ 690020	8.00"	20.00"	28.00"	15.10"	U-Bracket clevis ends with 1" holes. Pins and clips included. 12" handle.	16.0
	690044	8.00"	20.00"	28.00"	10.10"	U-Bracket clevis ends with 1" holes. Pins and clips included. 7" handle.	16.0
	690071	8.00"	20.00"	28.00"	15.10"	U-Bracket clevis ends with 1" holes. Pins and clips included. 12" handle. Ratchet assembly offset 3" from right side.	16.0
	690100	8.50"	19.75"	28.25"	10.50"	Heavy Duty. U-Bracket clevis ends with 1" holes. Pins and clips included. Less handle.	16.0
Forged Eyelet Heavy Duty Rod End							
18,500 lbs. - Pull 12,500 lbs. - Push	690026	4.75"	23.50"	28.25"	15.10"	Forged eyelet rod end with 1.12" holes. No pins or clips. 12" handle.	16.0
	690028	4.75"	19.75"	24.50"	15.10"	Forged eyelet rod end with 1.12" holes. No pins or clips. 12" handle.	16.0
	690040	5.60"	20.10"	25.70"	15.10"	Forged eyelet rod end with 1.12" holes. No pins or clips. 12" handle. Ratchet assembly offset 3" from right side.	16.0
Self Aligning Ball End							
16,000 lbs. - Pull 10,000 lbs. - Push	◆ 690067	8.00"	20.00"	28.00"	15.10"	Self-aligning ball end with 1.0" holes. No pins or clips. 12" handle.	16.0

NOTE: Other custom-made designs are available upon request. ◆ DENOTES MOST POPULAR

Options



Genuine BULLDOG Part Kits – Clam Shell Package

Complete line of top-selling BULLDOG replacement part kits.

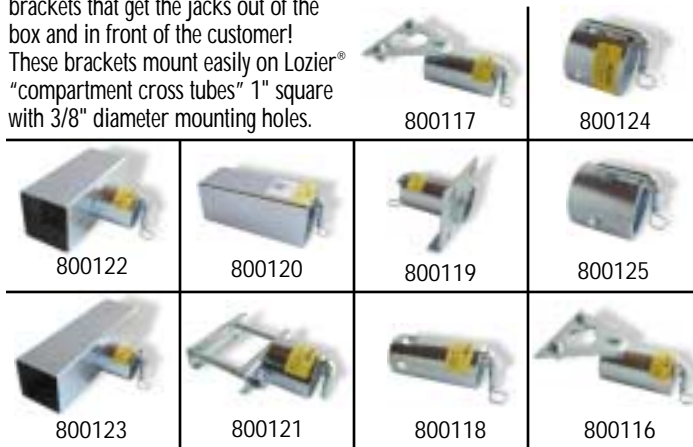


Get the attention of your customers with attractive, colorfully packaged BULLDOG Genuine Replacement Part Kits in clear plastic clam shells. Engineered for maximum strength and durability, a display of these top selling genuine BULLDOG replacement parts is a good way to increase overall sales. Consumers know the best way to maintain the integrity of their BULLDOG products is to always use genuine replacement parts manufactured by the most trusted name in the industry.

Display Jack Brackets



Move more merchandise with display brackets that get the jacks out of the box and in front of the customer! These brackets mount easily on Lozier® "compartment cross tubes" 1" square with 3/8" diameter mounting holes.



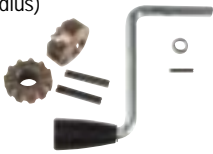


Jack Merchandiser

This sturdy, attractive jack stand boosts your sales by mounting four fully operational jacks. Customers can handle and try out swivel and crank features.

Jacks are not included.



600054

Capacity	Part No.	Description
Sidewind Crank Kits		
2,000 lbs.	500256	Sidewind crank (5.80" radius) assembly and gear kit. 
800 - 1,000 lbs. 5,000 lbs.	500105	Sidewind crank (6.50" radius) assembly with black knob. 
7,000 lbs.	500171	Sidewind crank (8.50" radius) assembly with black knob. 

Capacity Description	Part No.	Description
Topwind		
750 - 5,000 lbs.	500180	Topwind crank (6.75" radius) assembly with red knob. 
7,000 lbs.	500148	Topwind crank (9.00" radius) assembly with black knob. 
Knob Kits		
750 - 7,000 lbs.	500248	Black knob, teardrop. 
2,000 - 5,000 lbs.	500246	Red knob, BULLDOG. 
	500247	Black knob, BULLDOG. 

PARTS





Genuine BULLDOG Part Kits – Clam Shell Package


Complete line of top-selling BULLDOG replacement part kits.

Capacity	Part No.	Description
----------	----------	-------------



Wheel Kits

800 - 1,200 lbs.	500229	6" poly wheel with nut and bolt. 
2,000 - 5,000 lbs.	500245	Caster assembly with poly wheel. (Reduces all jack capacities to 800 lbs.) 


Base Plate Kits

2,000 - 5,000 lbs.	500244	Removable disc foot with pin. (2.1" tall) 
--------------------	--------	---

Mount Kits






800 - 5,000 lbs.	500242	L-bend swivel weld-on bracket. 
2,000 - 5,000 lbs.	500239	Trailer mount, male, weld-on, for 9/16" pin. (5,000 lbs. - Topwind only) 
5,000 lbs.	500240	Trailer mount, male, weld-on, for 5/8" pin. (5,000 lbs. - Sidewind only) 
7,000 lbs.	500238	Trailer mount, female, weld-on, for 5/8" pin. 

Retaining Ring Kits



800 - 5,000 lbs.	500241	Swivel retaining ring. 
------------------	--------	--

Capacity	Part No.	Description
----------	----------	-------------

Pin Kits

800 - 5,000 lbs.	500178	1/2" plunger pin assembly kit. 
2,000 lbs.	500243	9/16" pull pin 3.5" long with chain and drive screw. (5,000 lbs. - Topwind only) 
5,000 lbs.	500231	5/8" pull pin 3.5" long, with chain, and drive screw. (5,000 lbs. - Sidewind only) 
7,000 lbs.	500232	5/8" pull pin, 4.25" long, with chain, and cotter pin. 
12,000 lbs.	500177	3/4" drop-leg plunger pin kit 

Gear Kits

2,000 lbs.	500256	See 2,000 lb. sidewind crank and gear kit
800 - 1,000 lbs. 5,000 lbs.	500106	Sidewind gear kit. 
7,000 lbs.	500156	Sidewind gear kit. 

Bearing Kits

2,000 lbs.	500251	Bearing kit. 
5,000 lbs.	500223	Thrust bearing. 
7,000 lbs.	500224	Thrust bearing. 

Genuine BULLDOG Parts - Bulk

Complete line of top-selling BULLDOG parts.



Part No.	Description
Detachable Casters and Wheels	
POLY WHEELS	
017142	Detachable caster assembly with 6" polyolefin wheel, fits 1.75" inner tube – 2,000 lbs.
0917501S00	6" poly wheel only – 750 - 2,000 lbs.
018508	Caster assembly with 6" poly wheel for 155154 and 155200
CE111	6" caster with 1.78" inside diameter fitting for 1.63" jack tube – 1,000 lbs.
CD555	6" dual-wheel caster with 2" inside diameter fitting for 2" jack tube – 1,000 lbs.
CE555	6" caster with 2" inside diameter fitting for 2" jack tube – 1,200 lbs.
CQ1500	Caster with spoke 8" wheel, 2" square inner tube – 3,000 lbs.



017142



CE111/CE555

HEAVY-DUTY PHENOLIC WHEELS	
CP555	6" caster with 2" inside diameter fitting for 2" jack tube – 1,500 lbs.



CP555

STEEL WHEELS REDUCES RATED CAPACITY OF ANY JACK	
017143	Detachable caster assembly with 6" steel wheel, fits 1.75" inner tube – 2,000 lbs.
017125	Caster assembly with 6" steel wheel, fits 2" inner tube – 750 - 2,000 lbs.
017182	6" steel wheel only, unpainted – 750 - 2,000 lbs.
018507	Caster assembly with 6" steel wheel for 155159 and 155300 – 1,000 lbs. Reduces the rated lift capacity.
HDC2	Poly-coated 5" steel caster – 750 lbs.
HDC1	5" steel caster – 800 lbs.

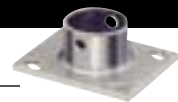


017125



HDC2

CASTER ADAPTER PLATES	
CA555	Caster adapter plate used with HC1 and HDC1
CA1500	Caster, 2" square inner tube – 3,000 lbs.



CA555

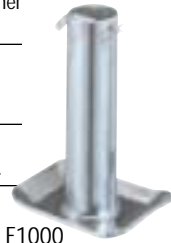
Part No.	Description
Detachable Disc Feet	
018986	Detachable base 2.1" tall, with pin, fits 1.875" inner tube – 2,000 lbs.
018564	Disc foot with pin. 2.10" tall, fits 2" inner tube – 2,000 - 5,000 lbs.
018098	Disc foot with pin. 6.20" tall, fits 2" inner tube – 2,000 - 5,000 lbs.
019184	Detachable base 8.9" tall, with pin, fits 1.75" inner tube – 2,000 lbs.
019373	Removable base 8.9" tall, with pin, fits 2" inner tube – 2,000 - 5,000 lbs.
F1000	Disc foot with pin - 8.75" tall - 1.68" inside diameter fitting for 1.63" jack tube - 1,000 lbs.
FR2000	Round footplate - 1.5" tall - 2" inside diameter fitting for 2" jack tube - 2,000 lbs.
FP2000	Disc foot with hardware (bolt goes through 2" jack tube holes) - 2,000 lbs.



018986



FP2000



F1000

Retaining Ring Mounting Brackets	
015939	Weld-on L-bend, retaining ring swivel plate for 3/8" diameter plunger pin.
015289	Weld-on flat, retaining ring swivel plate for 3/8" diameter plunger pin.
800002	Bolt-on flanged, retaining ring swivel plate mounting plated for 3/8" diameter plunger pin.
015889-17	Weld-on, L-bend swivel bracket – 2,000 - 5,000 lbs.
015139	Weld-on, flat swivel bracket – 2,000 - 5,000 lbs.
018945	Bolt-on, L-bend swivel bracket – 2,000 - 5,000 lbs.
018201	Mounting hardware for 018945



015909

Drop Legs	
019705	Round tube, works with thin wall inner tube – 2,000 lb.
DF3500	For square jack, pin included – 3,000 - 5,000 lbs.
701340-01	For square jack, no pin included – 5,000 - 7,000 lbs.
700548-01	For square jack, no pin included – 7,000 - 8,000 lbs.
701292-01	For square jack, no pin included – 7,200 - 10,000 lbs.



DF3500

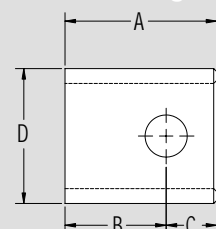
Tube Mounts

Part No.	Style	Pin Diameter	Measurements (SEE DIAGRAM)				Fits
			A	B	C	D	
005005	Weld-on, male	9/16"	2.25"	1.50"	0.75"	2.00"	2.50"
015279	Weld-on, male	5/8"	2.25"	1.50"	0.75"	2.00"	2.50"
005024	Weld-on, female	5/8"	2.50"	1.62"	0.88"	3.00"	2.50"
800004-01	Bolt-on	9/16"	2.25"	1.50"	0.75"	2.00"	2.50"
800042-01	Bolt-on	5/8"	2.25"	1.50"	0.75"	2.00"	2.50"
015273	Weld-on, male	9/16"	1.88"	1.13"	0.75"	2.00"	2.50"
015271	Weld-on, female	9/16"	1.62"	0.88"	0.75"	2.50"	2.00"
003155	Weld-on, female	3/4"	3.00"	1.59"	1.41"	3.25"	2.50"
005122	Weld-on, female	7/8"	2.80"	1.58"	1.22"	4.00"	3.25"
015669	Weld-on, male	5/8"	2.25"	1.50"	0.75"	2.00" sq.	2.50" sq.
005164	Weld-on, female	5/8"	2.50"	1.50"	1.00"	3.00" sq.	2.50" sq.
PQM19-00	Weld-on, male	5/8"	2.13"	1.25"	0.88"	2.00" sq.	2.50" sq.



015279

Tube Mount Diagram






Genuine BULLDOG Parts - Bulk


Complete line of top-selling BULLDOG parts.

Part No.	Description
----------	-------------


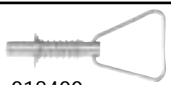
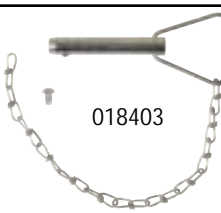
Retaining Ring

015904	Retaining ring for 015909, 015139, and 018945	
		015904



Bottom Support Plates

003135	A-frame support plate, forged coupler.	
SPB10	Bottom support plate with 1.92" diameter hole	003135
SPB50	Bottom support plate with 2.29" diameter hole, cast and stamped couplers.	
SPBQ50	Bottom support plate with 2.3" square hole	



Pins

500103	3/8" plunger pin assembly. (Bulldog only)	
		500103
018400	1/2" diameter plunger pin assembly - 750 - 5,000 lbs. (Bulldog only)	
		018400
018403	9/16" pull pin and chain with drive screw - 2,000 - 5,000 lbs.	
700005	5/8" pull pin (3.50" long) with chain without drive screw - 5,000 lbs.	
700026	5/8" pull pin (4.50" long) with chain without drive screw - 7,000 lbs.	
700377	3/4" pull pin (4.75" long) with chain without drive screw - 7,000 lbs.	
701029	7/8" pull pin (5.12" long) with chain without drive screw - 12,000 lbs.	

Sidewind Gears


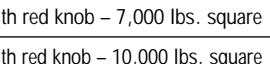


020001	2 gears required - 2,000, 3,000, and 5,000 lbs.	
020012/020026	1 gear each required - 7,000 lbs.	
020042	2 gears required - 800 - 2,000 lbs.	020001
020012/020043	1 each required - 7,000 lbs. square	
020040/020041	1 each required - 10,000 lbs.	
020022/020023	1 each required - 12,000 lbs.	

Bearings



001016	Bearing - 2,000, and 3,000 lbs.	
011307	Bearing - 5,000 lbs.	
001002	Bearing - 7,000 lbs.	001016
001016	Bearing - 2,000 lbs., 3,000 lbs.	
011307	Bearing - 5,000 lbs.	
001002	Bearing - 7,000 lbs. round, 8,000 lbs. square	
001020	Bearing - 7,000 lbs. square	001002
001021	Bearing - 10,000 lbs. square	
001015	Bearing - 12,000 lbs. square	

Part No.	Description
----------	-------------

Topwind Cranks

018917	Topwind crank (6.75" radius) with red knob - 750 - 5,000 lbs.	
		018917
1052129-01	Topwind crank (6.75" radius) with black knob - 750 - 5,000 lbs.	
1052127-01	Topwind crank (9.00" radius) with red knob - 7,000 lbs. square	
701283	Topwind crank (12.00" radius) with red knob - 10,000 lbs. square	
500104	Topwind crank (6.75" radius) - 2,000, 3,000, and 5,000 lbs.	
1052117-01	Topwind crank (9.00" radius) with black tear drop knob - 7,000 lbs. round, 8,000 lbs. square	
800075	Topwind crank 1" tubing (15.50" radius) - 12,000 lbs.	
		800075

Sidewind Cranks

019618	Sidewind crank (5.80" radius) - 750 - 2,000 lbs.	
700056	Sidewind crank (6.50" radius) - 800 - 1,000 lbs., 5,000 lbs.	
700380	Sidewind crank (8.50" radius) - 7,000 lbs., 8,000 lbs. square	
701286	Sidewind crank (10.50" radius) - 10,000 lbs. square	
015181	Sidewind crank, vertical clevis (13.50" radius) - 12,000 lbs. square	
701140	Sidewind crank assembly with 13.50" radius. Vertical clevis. Mounting hardware not included. Extends 17.50" from the jack. Black primed finish.	019618
701213	Sidewind crank assembly with 13.50" radius. Horizontal clevis. Mounting hardware not included. Extends 17.50" from the jack. Black primed finish.	
		015181
701466	Removable sidewind crank with 13.5" offset radius. All zinc-plated crank. Dual handle grips for cranking and shifting. For use with OEM supplied outboard bushing or may be attached directly on jack gearbox.	
701495	Sidewind crank assembly with 13.50" radius. Horizontal clevis. Mounting hardware not included. Extends 17.50" from the jack. Silver powder paint finish.	
701496	Sidewind crank assembly with 13.50" radius. Vertical clevis. Mounting hardware not included. Extends 17.50" from the jack. Silver powder paint finish.	015181
800090	Sidewind crank, horizontal clevis (13.50" radius) - 12,000 lbs. square	
701466	Removable sidewind crank with 13.5" offset radius. All zinc-plated crank. Dual handle 4.0 grips for cranking and shifting. For use with OEM supplied outboard bushing or may be attached directly on jack gearbox. Needs adapter with traditional gearbox.	

Marine and Recreational Jacks

Support Capacities: 300 lbs. – 5,000 lbs.



Designed for use with marine and utility trailers, Fulton brand tongue jacks are time-tested and application-proven. Our bolt-on versions include all necessary mounting hardware. For weld-on applications, we offer two styles of mounts for both 1/2" and 3/8" pull pin models. The Fulton brand bolt-thru swivel mounts (U.S. PAT. 6,302,381) use 3-D formed heavy-gauge steel stampings and a proprietary bushing material for a mount with minimal deflection and maximum support. All mounts fit up to a 3" x 5" trailer frame.

- Extensive choice of popular models.
- Weather and corrosion-resistant coatings.
- Strong proprietary bushing materials.
- Stable formed heavy-gauge steel construction.
- Dependable design.

NEW



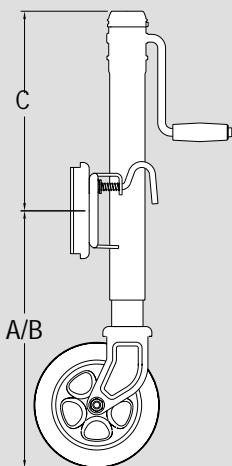
PREMIUM FINISH

- Environmentally friendly
- Self-healing
- Maximum corrosion resistance
- Used in salt water environments and other demanding climate applications
- 1000 hour salt spray rating per ASTM B117

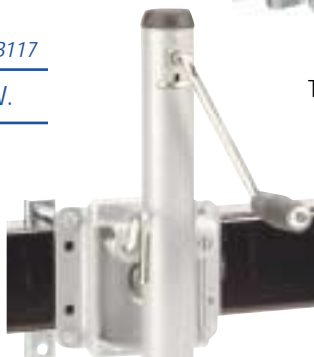
Get Sharkskin™ coating on models XP10S, XP15S, and XP15SW.

Travel and Clearance Diagram

A = Retracted B = Extended C = Clearance Height



TJ503



XP10S



XPD15L



HD2500



XP15

Marine and Recreational Jacks

Support Capacity	Handle Style	Part No.	Measurements (SEE DIAGRAM)			Description	Pull Pin Diameter
			A RETRACTED	B EXTENDED	C CLEARANCE		
Retaining Ring Swivel							
300 lbs.	-	TSC350	12.75	-	4.00"	Zinc, with 6" diameter caster, trailer stand	3/8"
600 lbs.	Topwind	TJ600T	12.75"	22.75"	9.50"	Zinc, with 6" diameter caster	3/8"
800 lbs.	Sidewind	◆ TJ503	12.75"	22.75"	10.50"	Zinc, with 6" diameter caster	3/8"
	Sidewind	TJ507	12.75"	22.75"	10.50"	Zinc, with 6" diameter caster without mount	3/8"
1,000 lbs.	Sidewind	TJ1055	12.75"	22.75"	10.50"	Zinc, with 6" diameter caster	1/2"
	Topwind	TJ100F	10.00"	19.50"	4.50"	Zinc, with foot plate	3/8"
1,200 lbs.	Sidewind	TJ1255	12.75"	24.75"	12.50"	Zinc, with 6" diameter caster	1/2"
Bolt-Thru Swivel							
1,000 lbs.	Sidewind	◆ XP10	12.75"	22.75"	10.50"	Zinc with 6" diameter caster	3/8"
	Sidewind	XP100	14.75"	24.75"	10.50"	Zinc with 8" caster	3/8"
	Sidewind	XP10W	12.75"	22.75"	10.50"	Zinc with caster, weld-on	3/8"
	Sidewind	XP10L	14.75"	24.75"	12.50"	Zinc with 6" diameter caster	3/8"
1,500 lbs.	Sidewind	◆ XP15	12.75"	22.75"	12.50"	Zinc with 8" caster	1/2"
	Sidewind	XP15L	14.75"	24.75"	14.50"	Zinc with 8" caster	1/2"
	Sidewind	XP15W	12.75"	22.75"	12.50"	Zinc with 8" caster, weld-on	1/2"
	Sidewind	XP15LW	12.75"	24.75"	14.50"	Zinc with 8" caster, weld-on	1/2"
	Sidewind	XP15L	12.75"	24.75"	12.50"	Zinc with 6" caster, dual wheel	1/2"
Sharkskin™ Premium Saltwater Jacks - Bolt Thru Swivel							
1,000 lbs.	Sidewind	XP10S	12.75"	22.75"	10.50"	Sharkskin™ finish, with 6" caster	3/8"
1,500 lbs.	Sidewind	XP15S	12.75"	22.75"	12.50"	Sharkskin™ finish, with 8" caster	1/2"
	Sidewind	XP15SW	12.75"	22.75"	12.50"	Same as XP15S with weld-on bracket	1/2"
Fixed Mount							
300 lbs.	-	TS300	6.25"	15.00"	-	Zinc, trailer stand with caster fits 3" x 3" frame	N/A
800 lbs.	Sidewind	TJ712	10.50"	25.50"	19.25"	Zinc, with 6" diameter caster	N/A
1,200 lbs.	Sidewind	TJ1222	11.00"	26.00"	19.25"	Zinc, heavy-duty with 6" caster	N/A
1,500 lbs.	Sidewind	XP15L	11.25"	23.25"	19.50"	Zinc, with 8" caster	N/A
2,500 lbs.	Sidewind	HD2500	7.00"	35.50"	19.00"	Zinc, heavy-duty with drop leg	9/16"
5,000 lbs.	Sidewind	HD5000	6.50"	35.00"	18.50"	Zinc, heavy-duty with drop leg	N/A



Contact Cequent Customer Service for replacement parts. ◆ DENOTES MOST POPULAR

Part No.	Description
Handle Kit	
0933301S00	TJ503/C, TJU503, PMJ53, TJ507/C, PMJ75, CS750, GR700/TJ712, XP10/L/W/WC, XP100
0933305S00	TJ1055, TJ1057, TJ1222, TJ255, TJD125, TJ122F, XP15/L/W/WC, XP15L
Bevel Gear Kit	
0933302S00	TJ503/C, TJU503, PMJ53, TJ507/C, PMJ75, CS750, GR700/T712, XP10/6,W,W/C, XP100
0933306S00	TJ1055, TJ1057, TJ1222, TJ1255, TJD125, TJ122F, XP15/L/W/WC, XP15L
Plunger Pin Kit	
1537S01	TJ503/C, TJU503, PMJ53, TJ507/C, PMJ75, CS750, GR700/TJ712, TJ1003, TJ1258F, XP10/L,W,W/C, XP100
0933307S00	TJ1055, TJ1057, TJ1255, TJD125, TJ122F, XP15/L/W/WC, XP15L

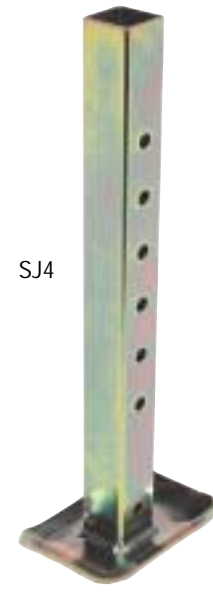
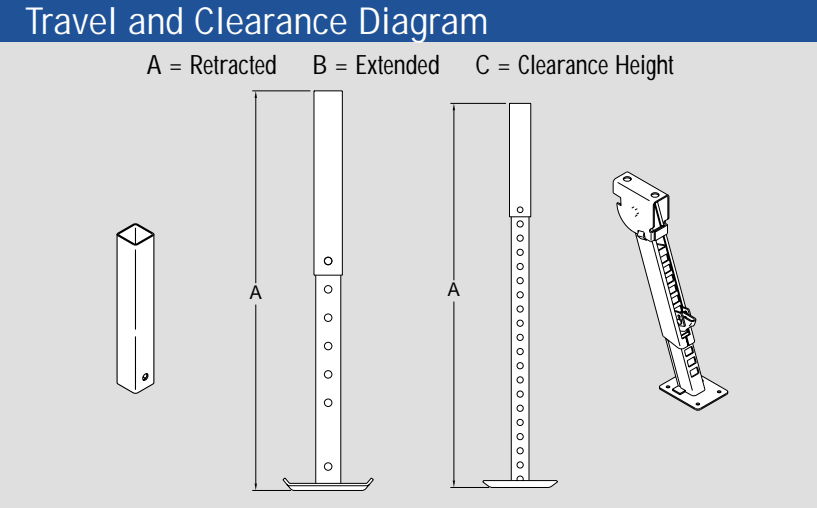
Part No.	Description
Wheel Repair Kit	
6811S00	All models including TJ600T (excluding TJD125, TJD103)
Snap Ring	
P9086-00	All models
Cap	
0917507-00	TJ503C, TJU503, PMJ53, TJ507/C, PMJ75, CS750, GR700/TJ712, dome w/screw 2", XP10, XP10L, XP10W, XP10WC, XP100
0917515-00	TJ1055, TJ1057, TJ1222, TJ1255, TJD125, TJ122F, dome w/2 screws 2-1/4", XP15, XP15L, XP15W, XP15WC, XP15L

Stabilizers



Static Capacities: 300 lbs. – 3,000 lbs.

There are two styles of stabilizer jacks for quick load leveling and stabilizing. Square tube stabilizers are fabricated from high strength, structural steel tubing, and are yellow zinc-plated for excellent corrosion-resistance. Common applications include cargo trailers, industrial implements, and equipment outriggers. Our 77 Series stabilizer is commonly used in the RV market as a camper stabilizer. It offers a ratchet style mechanism for raising/lowering, all-steel construction, and zinc-plating for corrosion protection.



Stabilizers

Static Capacity	Part No.	Adjustment Range (A)	Overall Length Dimension	Description
Square Tube Stabilizer				
2,000 lbs.	SJL8	8" - 27"	20" drop leg, 8" outer	Assembly drop leg and 1-1/2" outer
3,000 lbs.	SJ1	N/A	13"	2" square outer, oil finish.
	SJ2	25" - 37"	28.75"	Square drop leg with adjustment holes.
	SJ4	18" - 28"	20"	Square drop leg with adjustment holes.
Camper Stabilizer				
300 lbs.	77	11-1/8" - 18-3/4"	N/A	Stabilizer
	78	N/A	N/A	Stabilizer handle
	772	11-1/8" - 18-3/4"	N/A	Pair with 78 0201 handle

Adjustment range is based on SJ1 outer tube.



Economy Marine and Utility Jacks

Lift Capacities: 800 lbs. – 2,000 lbs.

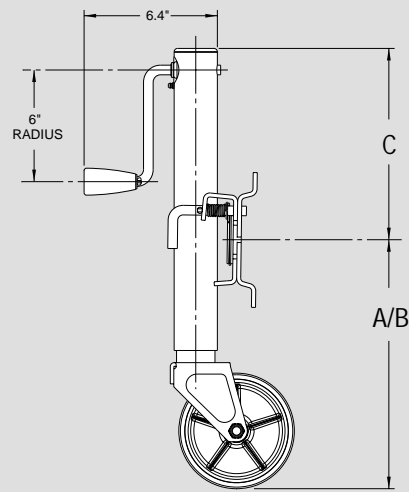
Eclipse economy jacks represent an innovative direction. Today's boat and personal watercraft owners demand both performance and style. Eclipse brings the total package.

- 3/8" diameter spring-loaded locking pin for secure operation.
- Some assembly required.
- Corrosion-resistant zinc finish.
- Rugged 6" polyolefin wheel.
- Retaining ring swivel.
- A-frame economy with 14" travel



Travel and Clearance Diagram

A = Retracted B = Extended C = Clearance Height



Some assembly required.

Mounting brackets included with EJ800

Economy Marine Jacks

Lift Capacity	Handle Style	Part No.	Model No.	Travel	Measurements (SEE DIAGRAM)			Description	Unit Wt. Lbs.
					A RETRACTED	B EXTENDED	C CLEARANCE		
Retaining Ring Swivel – Bolt-On									
800 lbs.	Sidewind	◆ EJ800	N/A	10"	12.8"	22.8"	10.1"	Bolt-on retaining ring swivel bracket assembled, fits up to 3" x 5" tongue.	16.2

NOTE: Other custom-made designs are available upon request. ◆ DENOTES MOST POPULAR

Economy Utility Jacks

Lift Capacity	Handle Style	Part No.	Model No.	Travel	Measurements (SEE DIAGRAM)			Description	Unit Wt. Lbs.
					A RETRACTED	B EXTENDED	C CLEARANCE		
A-Frame									
2,000 lbs.	Topwind	EA2000	N/A	14"	8.0"	22.25"	N/A	Black painted outer and inner tube.	12.0

NOTE: Other custom-made designs are available upon request.